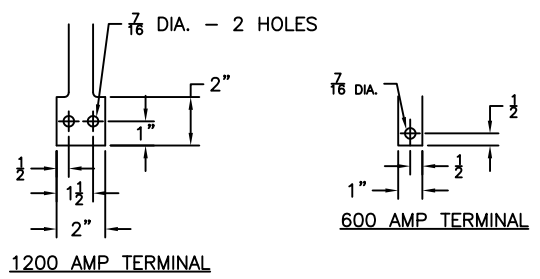
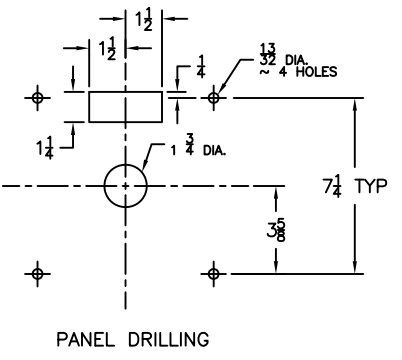
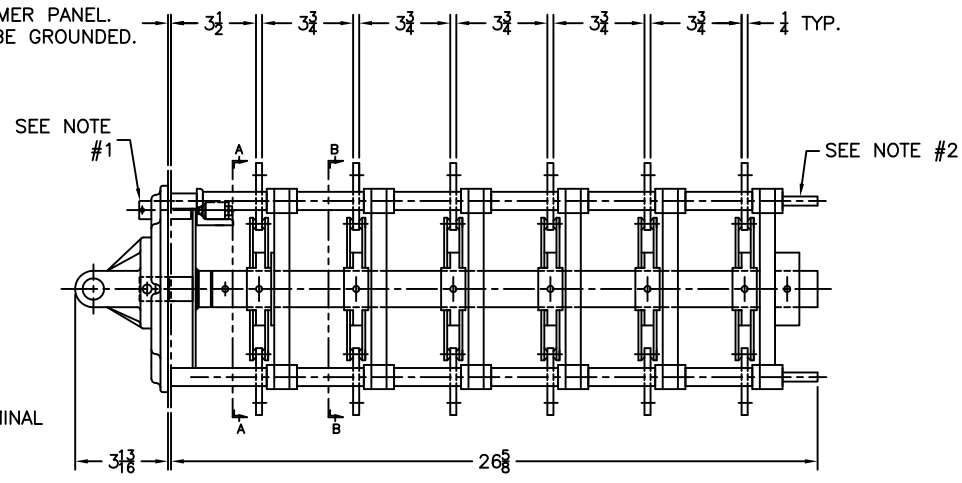
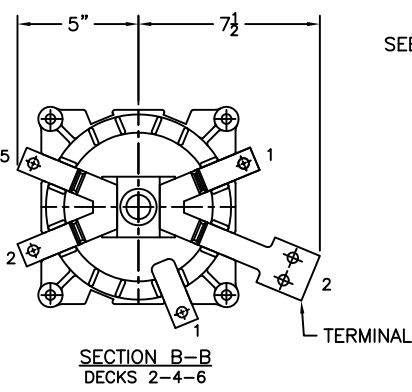
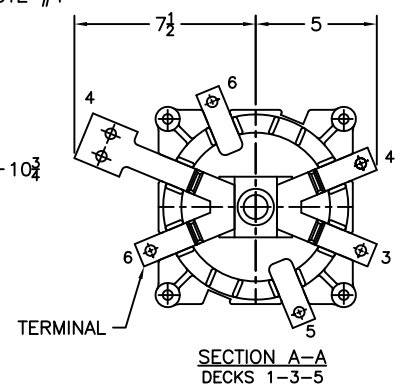
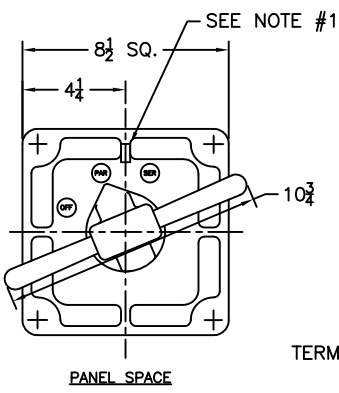


1/8 REF. CUSTOMER PANEL.  
PANEL SHOULD BE GROUND.

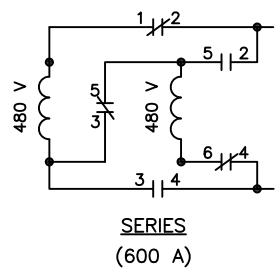
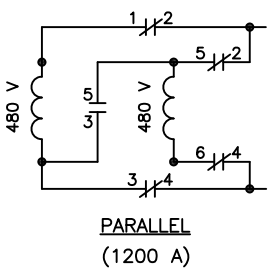
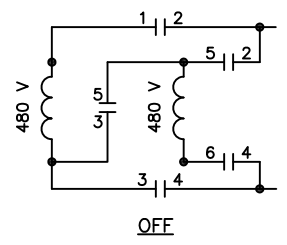


**NOTE #1:**  
MECHANICAL INTERLOCK: PULL KNOB BEFORE OPERATING MAIN HANDLE. KNOB ACTIVATES A SPDT AUXILIARY SWITCH - 15 A AT 480 VAC.

**NOTE #2:**  
SWITCH SHOULD BE SUPPORTED FOR VERTICAL LOADING USING (4) 3/8-16 STUDS SUPPLIED WITH SWITCH.

NOTE: ALL TERMINALS ARE SILVER PLATED.

CONTACTS	OFF	PARALLEL	SERIES
1-2		X	X
5-3		X	
4-6		X	X
3-4		X	



A	UPDATED AMPERAGE DESIGNATION	GMA KLY	01May08
REV	DESCRIPTION	DATE	
<small>THIS DRAWING AND ALL THE INFORMATION AND TECHNOLOGY IN IT ARE EXCLUSIVE, CONFIDENTIAL AND PROPRIETARY TO RoMan MFG. INC. THIS DRAWING IS OWNED BY RoMan MFG. INC. AND UNLESS SPECIFICALLY AUTHORIZED IN WRITING, NO COPIES SHALL BE MADE OF THIS DRAWING, AND SHALL BE USED ONLY FOR THE LIMITED PURPOSE FOR WHICH IT IS DISCLOSED AND ONLY TO THE BENEFIT OF RoMan MFG. INC., AND IT AND ANY COPIES, AUTHORIZED OR NOT, SHALL BE IMMEDIATELY RETURNED UPON ANY REQUEST THEREFORE.</small>			
SCALE:	NONE	DRAWN BY: RAW	
DATE:	031501	REVISED:	
600/1200 AMP - 600 VOLT - 60 HZ - 6 DECK - SERIES/PARALLEL with OFF - ROTARY SWITCH with MECHANICAL INTERLOCK			DRAWING NUMBER:
RS6-601/1201-55726			RSB-01913