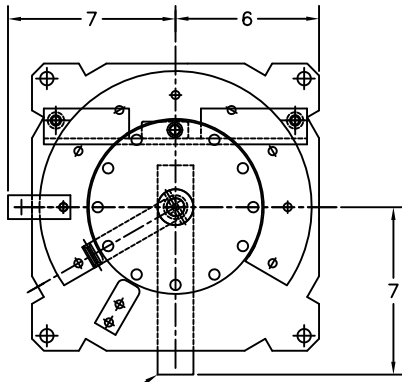
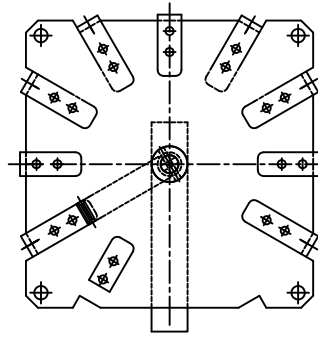


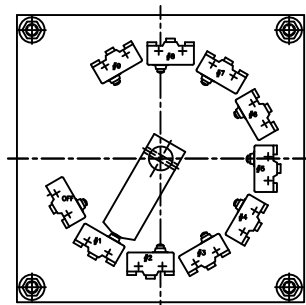
PANEL SPACE



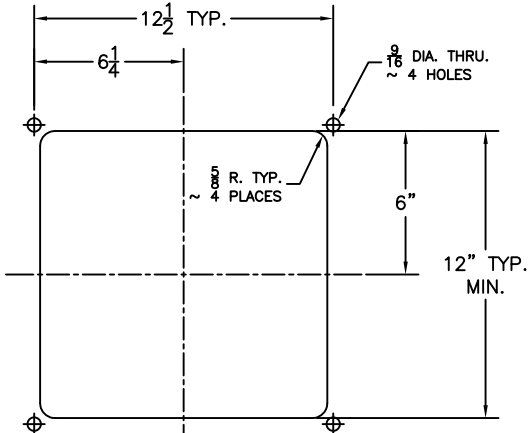
COMMON TERMINAL
FRONT VIEW
COVER REMOVED
FIRST DECK



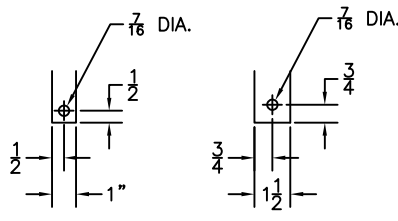
FRONT VIEW
COVER REMOVED
SECOND DECK



REAR VIEW



PANEL DRILLING



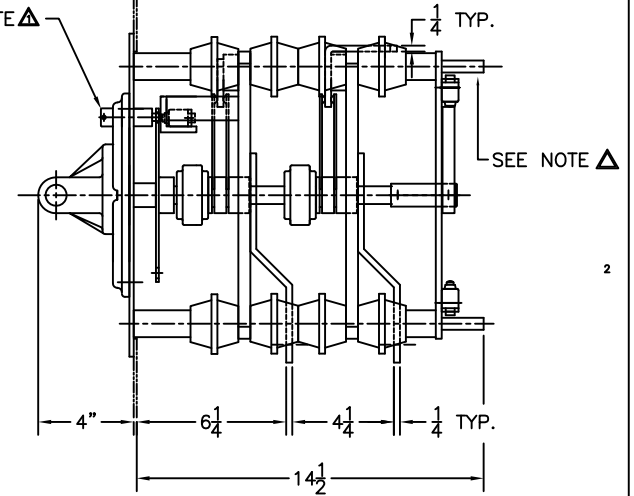
TERMINAL COMMON TERMINAL

CUSTOMER CONNECTION

CUSTOMER NOTE
ALL TERMINALS ARE SILVER PLATED.

1/8 REF. CUSTOMER
PANEL. PANEL SHOULD
BE GROUNDED.

SEE NOTE Δ



Δ MECHANICAL INTERLOCK: PULL KNOB BEFORE OPERATING MAIN HANDLE. KNOB ACTIVATES A DPDT AUXILIARY SWITCH - 15 AMP AT 480 VOLTS AC.

Δ SWITCH SHOULD BE SUPPORTED FOR VERTICAL LOADING USING (4) 1/2-13 STUDS SUPPLIED WITH SWITCH.

REV	DESCRIPTION	DATE
SCALE: 1:5	APPROVED BY:	DRAWN BY: GMA
DATE: 21Feb02		REVISED:
700 Amp - 1300 Volt - 60 Hz - 2 Deck - Off + 9 Position Rotary Tap Switch with 90° Terminals - Special Common Deck - 10 SPDT Auxiliary Sw. for Position Indicating & Mechanical Interlock with DPDT Auxiliary Sw.		DRAWING NUMBER:
RS2-709-XC1055785		RSB-01970