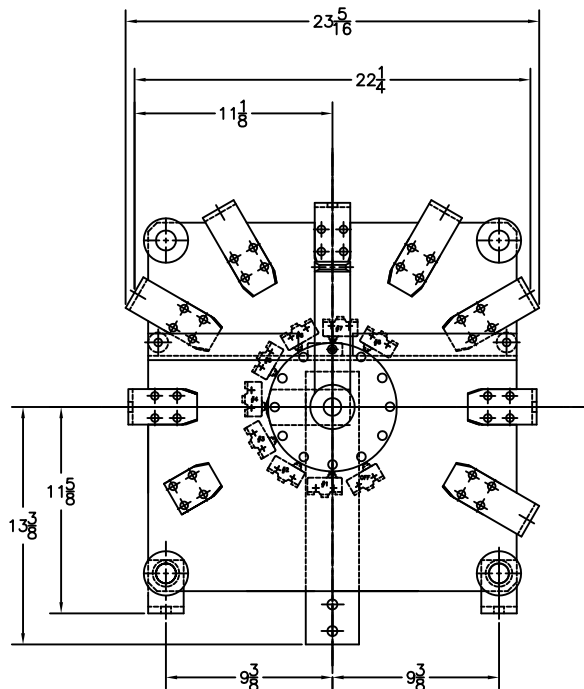
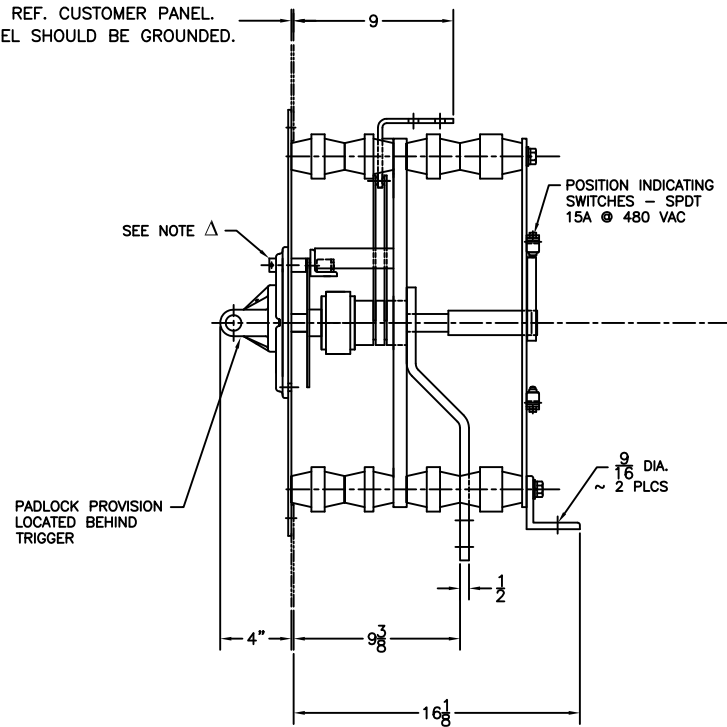


PANEL SPACE



FRONT VIEW
COVER REMOVED

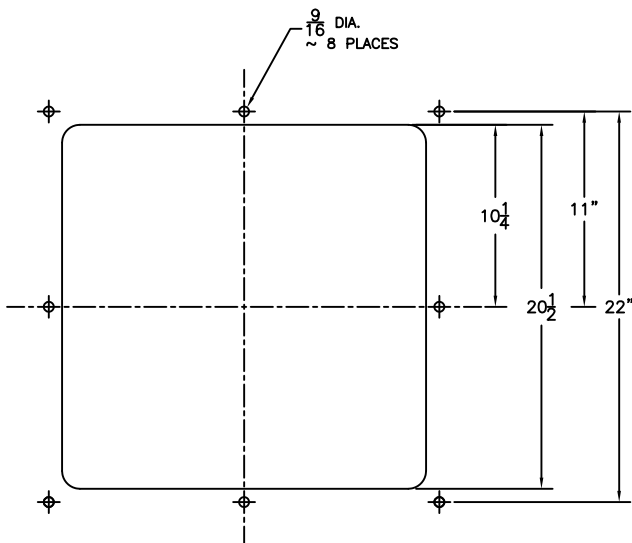
1/8 REF. CUSTOMER PANEL.
PANEL SHOULD BE GROUNDED.



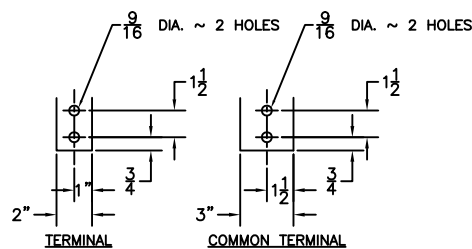
Δ MECHANICAL INTERLOCK: PULL KNOB BEFORE OPERATING
MAIN HANDLE. KNOB ACTIVATES A SPDT AUXILIARY
SWITCH - 15 A AT 480 VAC.

NOTE:
SWITCH SHOULD BE SUPPORTED IN REAR FOR VERTICAL LOADING.

SWITCH DESIGN VOLTAGE:
PHASE TO GROUND - 1300 VOLT
TERMINAL TO TERMINAL - 600 VOLT



PANEL DRILLING



CUSTOMER CONNECTION

CUSTOMER NOTE:
ALL TERMINALS ARE SILVER PLATED.

A	Corrected Aux Switch Positions IN "FRONT VIEW"	GMA	01Jun06
REV	DESCRIPTION	DATE	
SCALE: NONE	APPROVED BY:	DRAWN BY: GMA	
DATE: 30May02		REVISED:	
800 AMP - 1300 VOLT - 60 HZ - SINGLE PHASE - OFF+8 POSITION ROTARY SWITCH WITH 90 DEGREE TERMINALS MECHANICAL INTERLOCK & POSITION INDICATING			
CAT.NO. RS1-808-XC9M155802			DRAWING NUMBER: RSB-01990