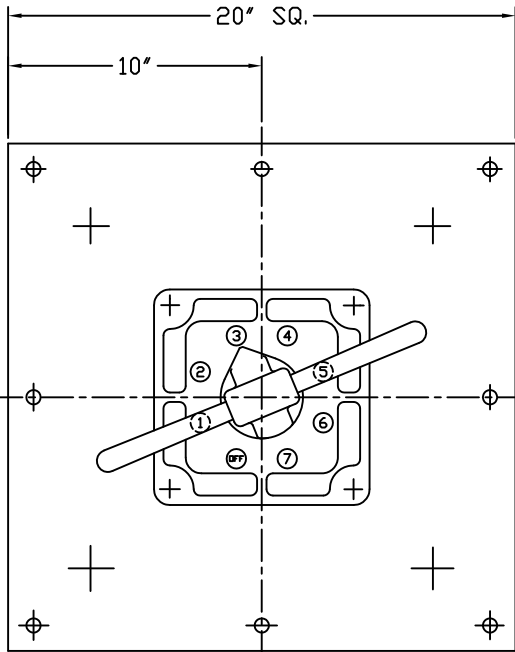
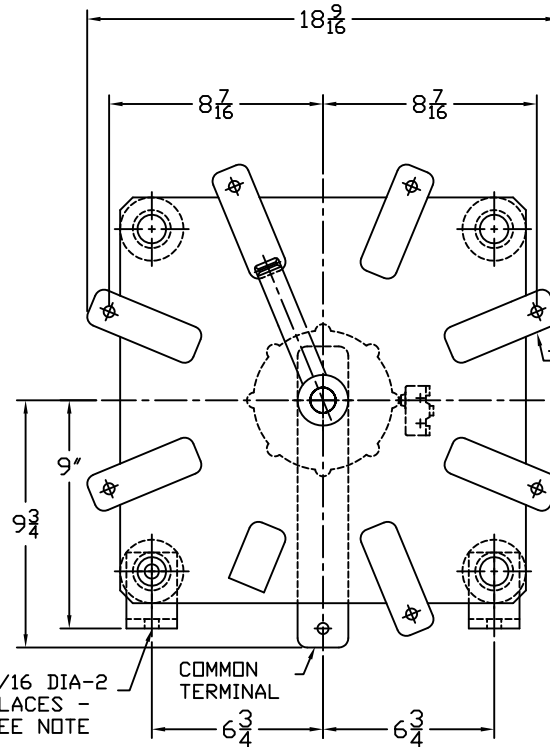


REF. CUSTOMER PANEL. PANEL SHOULD BE GROUNDED



PANEL SPACE

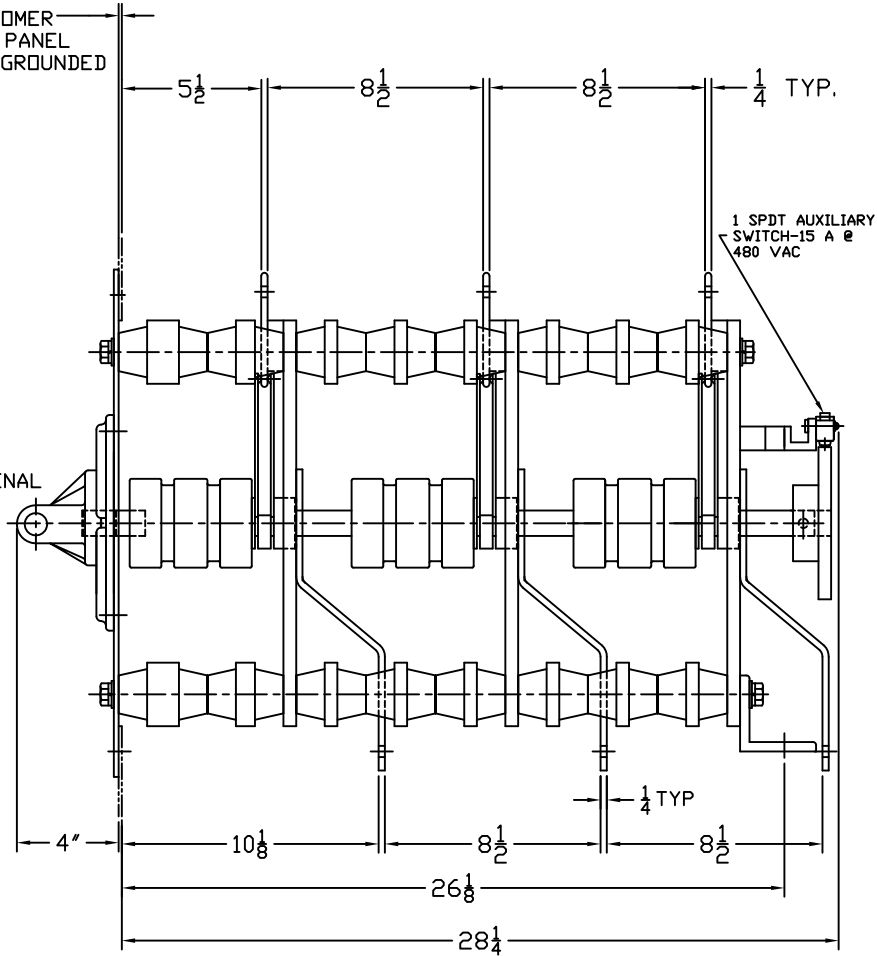


FRONT VIEW  
COVER REMOVED

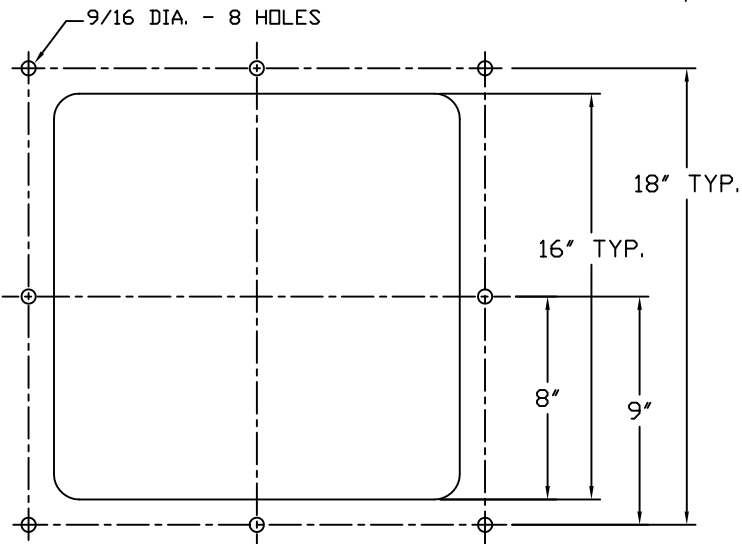
9/16 DIA-2 PLACES - SEE NOTE

COMMON TERMINAL

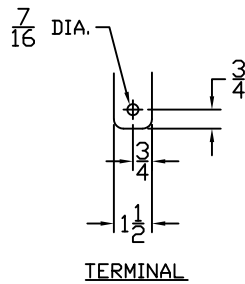
TERMINAL



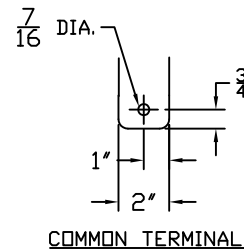
1 SPDT AUXILIARY SWITCH-15 A @ 480 VAC



PANEL DRILLING



TERMINAL



COMMON TERMINAL

CUSTOMER CONNECTION

CUSTOMER NOTE:  
ALL TERMINALS ARE SILVER PLATED

NOTE:  
SWITCH SHOULD BE SUPPORTED AT REAR FOR VERTICAL LOADING.

SWITCH DESIGN VOLTAGE:  
PHASE TO PHASE - 5KV  
PHASE TO GROUND - 5KV  
TERMINAL TO TERMINAL - 5KV

| REV   | DESCRIPTION  | DATE                         |
|---|--------------|------------------------------|
| <b>RoVMan</b>   |              |                              |
| SCALE: NONE   | APPROVED BY: | DRAWN BY: GMA                |
| DATE: 08Jan04   | REVISED:     |                              |
| 600 AMP - 5000 VOLT - 60 HZ - 3 PHASE - OFF + 7 POSITION ROTARY TAP SWITCH WITH 1-SPDT AUXILIARY SWITCH |              |                              |
| RS3-607-5KV55846  |              | DRAWING NUMBER:<br>RSC-02053 |