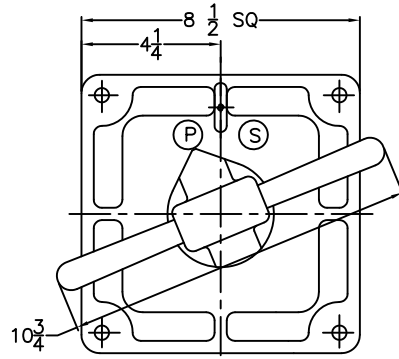
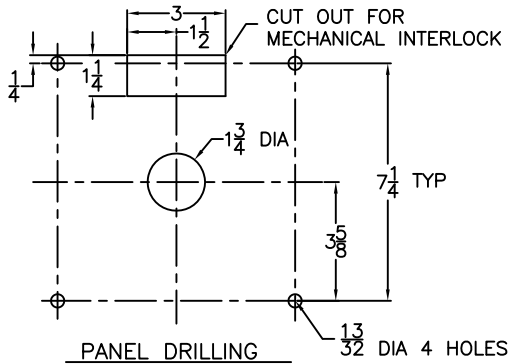
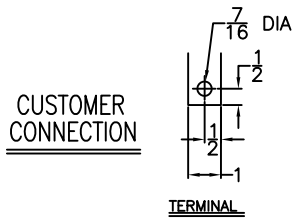
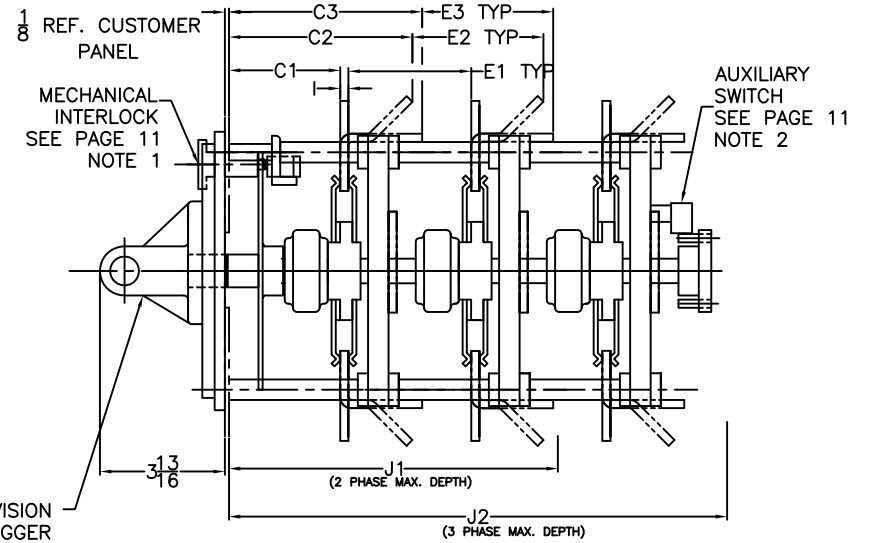


FRONT VIEW
COVER REMOVED



PANEL SPACE

PADLOCK PROVISION
LOCATED BEHIND TRIGGER



BASIC SWITCH with STRAIGHT TERMINALS							
Amps	A1	B	C1	E1	I	J1	J2
100-600	10	4 5/16	1 15/16	3 3/4	1/4	8 5/8	12 5/8

with AUXILIARY SWITCH	
J1	J2
9 5/8	13 5/8

MECHANICAL INTERLOCK with STRAIGHT TERMINALS							
Amps	A1	B	C1	E1	I	J1	J2
100-600	10	4 5/16	3 1/2	3 3/4	1/4	10 3/16	14 3/16

BASIC SWITCH with 45° TERMINALS							
Amps	A2	B	C2	E2	I	J1	J2
100-600	10 1/8	4 9/16	4 1/16	4	1/4	8 5/8	12 5/8

with AUXILIARY SWITCH	
J1	J2
9 5/8	13 5/8

MECHANICAL INTERLOCK with 45° TERMINALS							
Amps	A2	B	C2	E2	I	J1	J2
100-600	10 1/8	4 9/16	5 5/8	4	1/4	10 3/16	14 3/16

BASIC SWITCH with 90° TERMINALS							
Amps	A3	B	C3	E3	I	J1	J2
100-600	8 1/8	3 7/8	4 7/16	4	1/4	8 5/8	12 5/8

with AUXILIARY SWITCH	
J1	J2
9 5/8	13 5/8

MECHANICAL INTERLOCK with 90° TERMINALS							
Amps	A3	B	C3	E3	I	J1	J2
100-600	8 1/8	3 7/8	6	4	1/4	10 3/16	14 3/16