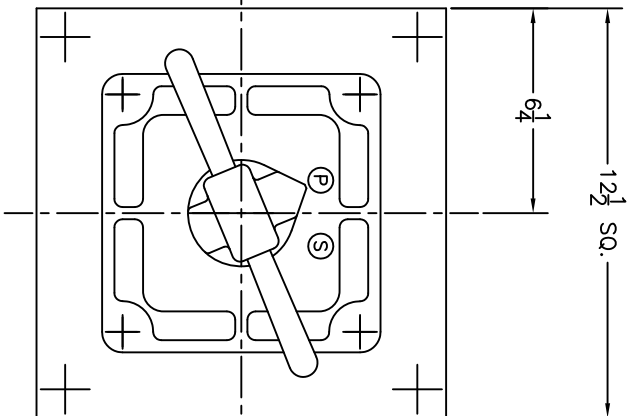
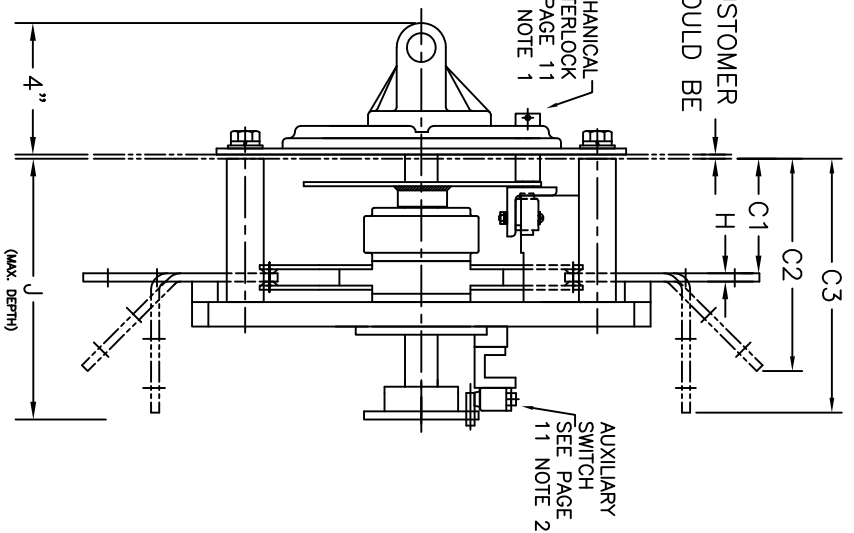


FRONT VIEW  
COVERS REMOVED

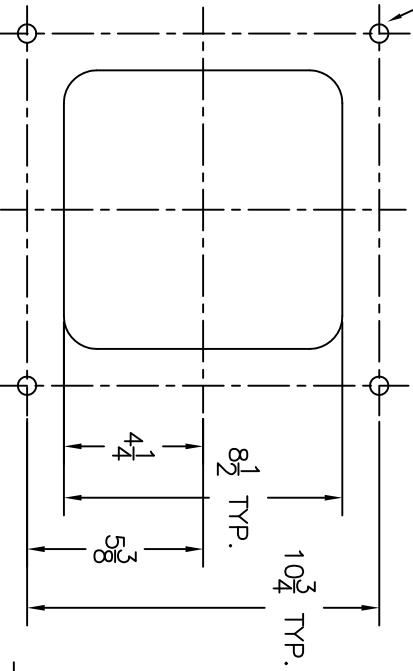


PANEL SPACE

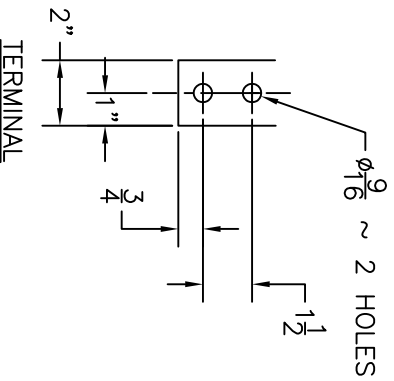
1 REF. CUSTOMER  
PANEL. SHOULD BE  
GROUNDED.



$\frac{9}{16}$  DIA. — 4 HOLES



PANEL DRILLING



CUSTOMER CONNECTION

BASIC SWITCH with STRAIGHT TERMINALS						
Amps	A1	B	C1	I	J	J
800-1000	19	11/16	8 3/4	2 1/4	1/4	6 5/16

with AUXILIARY SWITCH	
Amps	J
800-1000	6 7/8

MECHANICAL INTERLOCK with STRAIGHT TERMINALS						
Amps	A1	B	C1	I	J	J
800-1000	19	11/16	8 3/4	3 1/2	1/4	7 5/8

BASIC SWITCH with 45° TERMINALS						
Amps	A2	B	C2	I	J	J
800-1000	20	9 1/8	5 1/4	1/4	6 5/16	6 5/16

with AUXILIARY SWITCH	
Amps	J
800-1000	6 7/8

MECHANICAL INTERLOCK with 45° TERMINALS						
Amps	A2	B	C2	I	J	J
800-1000	20	9 1/8	6 1/2	1/4	7 5/8	7 5/8

BASIC SWITCH with 90° TERMINALS						
Amps	A3	B	C3	I	J	J
800-1000	16	8 3/4	6 1/2	1/4	6 1/2	6 1/2

with AUXILIARY SWITCH	
Amps	J
800-1000	6 7/8

MECHANICAL INTERLOCK with 90° TERMINALS						
Amps	A3	B	C3	I	J	J
800-1000	16	8 3/4	7 3/4	1/4	7 3/4	7 3/4