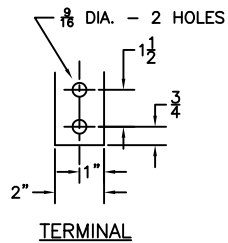
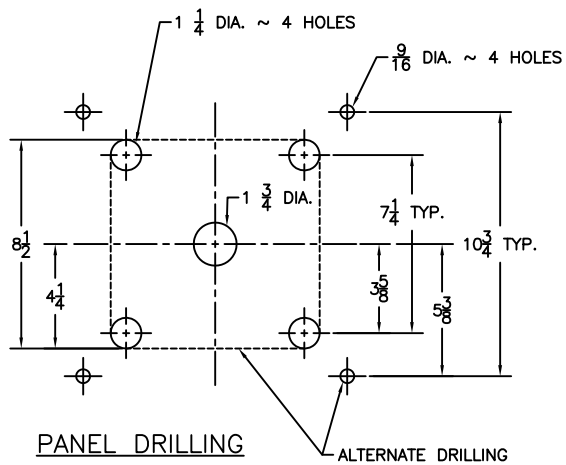
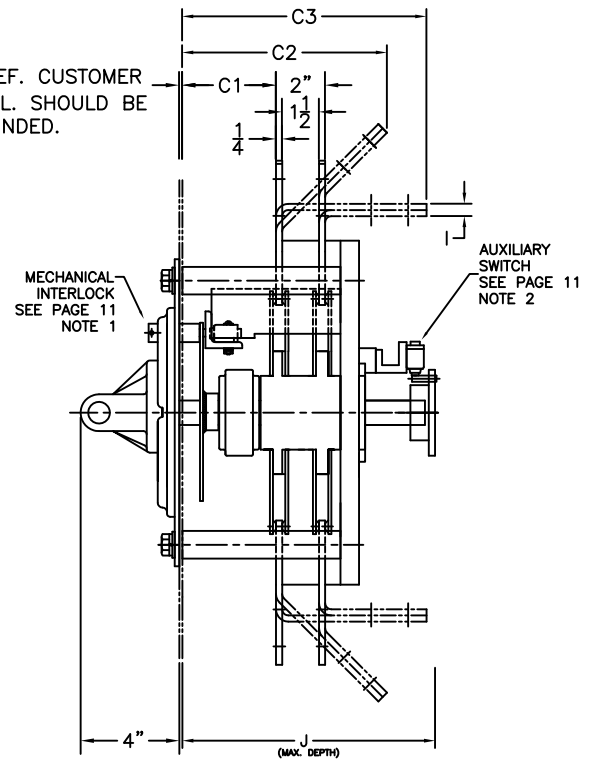


1/8 REF. CUSTOMER
PANEL. SHOULD BE
GROUNDED.



BASIC SWITCH with STRAIGHT TERMINALS						
Amps	A1	B	C1	I	J	
1200-1400	19 3/4	8 3/4	2 1/2	1/2	8 5/8	

with AUXILIARY SWITCH	
J	
9	

MECHANICAL INTERLOCK with STRAIGHT TERMINALS						
Amps	A1	B	C1	I	J	
1200-1400	19 3/4	8 3/4	3 7/8	1/2	9 7/8	

BASIC SWITCH with 45° TERMINALS						
Amps	A2	B	C2	I	J	
1200-1400	22 1/2	10 3/8	7	1/2	8 5/8	

with AUXILIARY SWITCH	
J	
9	

MECHANICAL INTERLOCK with 45° TERMINALS						
Amps	A2	B	C2	I	J	
1200-1400	22 1/2	10 3/8	8 3/8	1/2	9 7/8	

BASIC SWITCH with 90° TERMINALS						
Amps	A3	B	C3	I	J	
1200-1400	16 1/2	7 7/8	8 5/8	1/2	8 5/8	

with AUXILIARY SWITCH	
J	
9	

MECHANICAL INTERLOCK with 90° TERMINALS						
Amps	A3	B	C3	I	J	
1200-1400	16 1/2	7 7/8	10	1/2	10	