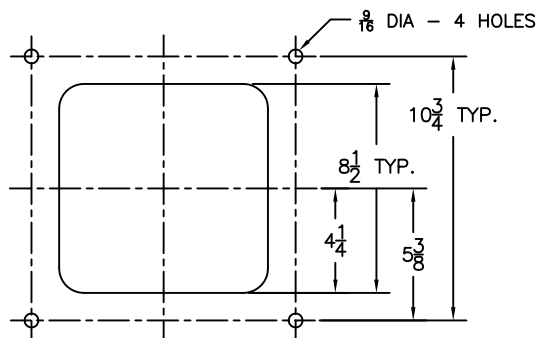
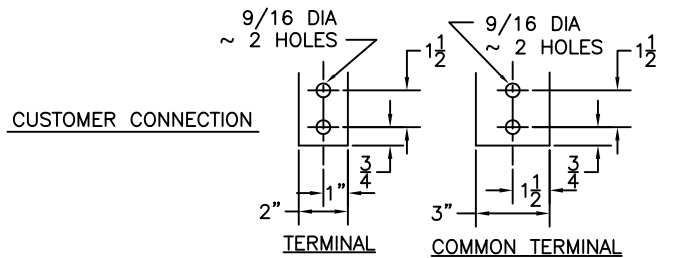
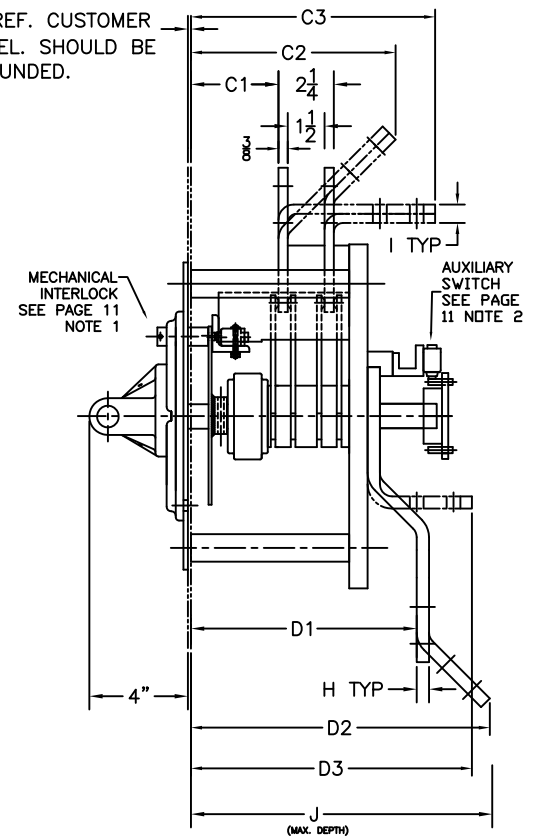


$\frac{1}{8}$ REF. CUSTOMER PANEL SHOULD BE GROUNDED.



PANEL DRILLING

BASIC SWITCH with STRAIGHT TERMINALS										
Amps	A1	B	C1	D1	G	H	I	J	K	
1600-2000	19 3/4	8 3/4	2 1/4	7 7/8	10	1/2	3/4	8 3/4	3/4	

with AUXILIARY SWITCH	
J	9 3/8

MECHANICAL INTERLOCK with STRAIGHT TERMINALS										
Amps	A1	B	C1	D1	G	H	I	J	K	
1600-2000	19 3/4	8 3/4	3 5/8	9 1/4	10	1/2	3/4	10	3/4	

BASIC SWITCH with 45° TERMINALS										
Amps	A2	B	C2	D2	G	H	I	J	K	
1600-2000	22 3/4	10 1/2	7	10 7/8	11 3/4	1/2	3/4	10 7/8	3/4	

with AUXILIARY SWITCH	
J	10 7/8

MECHANICAL INTERLOCK with 45° TERMINALS										
Amps	A2	B	C2	D2	G	H	I	J	K	
1600-2000	22 3/4	10 1/2	8 3/8	12 1/8	11 3/4	1/2	3/4	12 1/8	3/4	

BASIC SWITCH with 90° TERMINALS										
Amps	A3	B	C3	D3	G	H	I	J	K	
1600-2000	16 7/8	8 1/8	8 5/8	10 1/8	8 3/4	1/2	3/4	10 1/8	3/4	

with AUXILIARY SWITCH	
J	10 1/8

MECHANICAL INTERLOCK with 90° TERMINALS										
Amps	A3	B	C3	D3	G	H	I	J	K	
1600-2000	16 7/8	8 1/8	10	11 1/2	3 3/4	1/2	3/4	11 1/2	3/4	