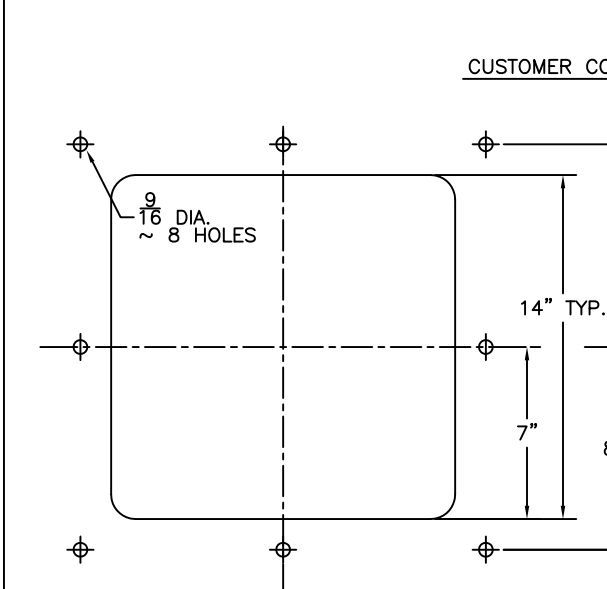
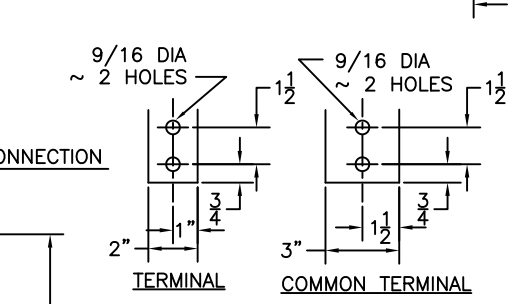


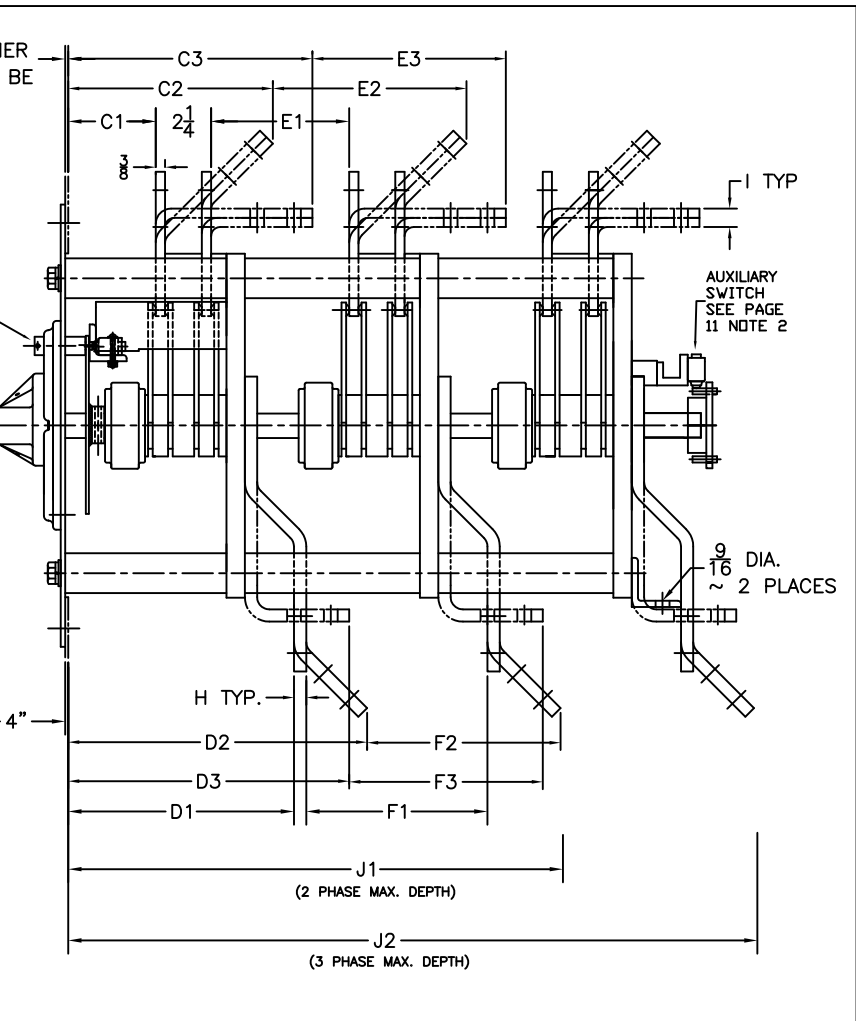
FRONT VIEW
COVERS REMOVED



PANEL DRILLING



CUSTOMER CONNECTION



BASIC SWITCH with STRAIGHT TERMINALS												
Amps	A1	B	C1	D1	E1	F1	G	H	I	J1	J2	K
1600-2000	19 3/4	8 3/4	2 1/4	7 7/8	5 5/8	7 3/8	10	1/2	3/4	16 1/2	24 3/8	3/4

with AUXILIARY SWITCH	
J1	J2
17 1/8	25

MECHANICAL INTERLOCK with STRAIGHT TERMINALS												
Amps	A1	B	C1	D1	E1	F1	G	H	I	J1	J2	K
1600-2000	19 3/4	8 3/4	3 5/8	9 1/4	5 5/8	7 3/8	10	1/2	3/4	17 7/8	25 3/4	3/4

BASIC SWITCH with 45° TERMINALS												
Amps	A2	B	C2	D2	E2	F2	G	H	I	J1	J2	K
1600-2000	22 3/4	10 1/2	7	10 7/8	7 7/8	7 7/8	11 3/4	1/2	3/4	18 3/4	26 5/8	3/4

with AUXILIARY SWITCH	
J1	J2
18 3/4	26 5/8

MECHANICAL INTERLOCK with 45° TERMINALS												
Amps	A2	B	C2	D2	E2	F2	G	H	I	J1	J2	K
1600-2000	22 3/4	10 1/2	8 3/8	12 1/8	7 7/8	7 7/8	11 3/4	1/2	3/4	20	27 7/8	3/4

BASIC SWITCH with 90° TERMINALS												
Amps	A3	B	C3	D3	E3	F3	G	H	I	J1	J2	K
1600-2000	16 7/8	8 1/8	8 5/8	10 1/8	7 7/8	7 7/8	8	1/2	3/4	18	25 7/8	3/4

with AUXILIARY SWITCH	
J1	J2
18	25 7/8

MECHANICAL INTERLOCK with 90° TERMINALS												
Amps	A3	B	C3	D3	E3	F3	G	H	I	J1	J2	K
1600-2000	16 7/8	8 1/8	10	11 1/2	7 7/8	7 7/8	8	1/2	3/4	19 3/8	27 1/4	3/4