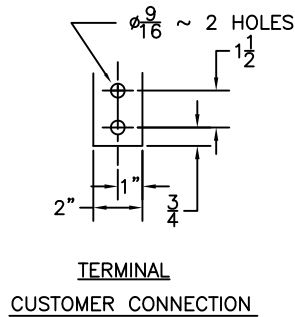
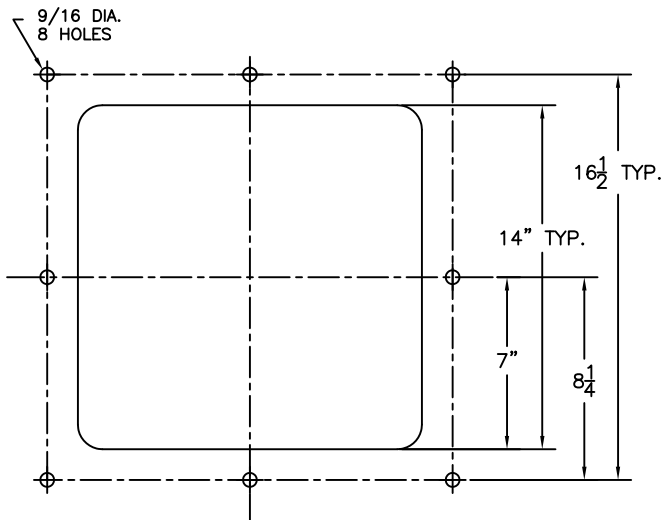
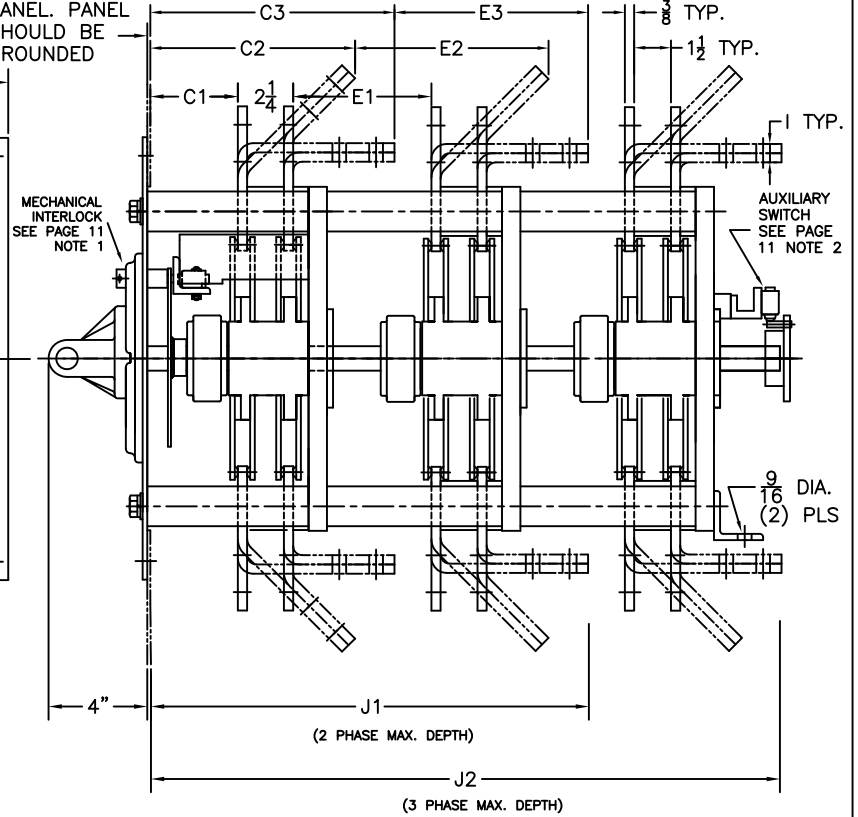


REF. CUSTOMER
PANEL. PANEL
SHOULD BE
GROUNDED



BASIC SWITCH with STRAIGHT TERMINALS							
Amps	A1	B	C1	E1	I	J1	J2
1600-2000	19 3/4	8 3/4	2 1/4	5 5/8	3/4	16 1/2	24 3/8

with AUXILIARY SWITCH	
J1	J2
16 7/8	21 3/4

MECHANICAL INTERLOCK with STRAIGHT TERMINALS							
Amps	A1	B	C1	E1	I	J1	J2
1600-2000	19 3/4	8 3/4	3 5/8	5 5/8	3/4	17 3/4	25 5/8

BASIC SWITCH with 45° TERMINALS							
Amps	A2	B	C2	E2	I	J1	J2
1600-2000	22 3/4	10 1/2	7	7 7/8	3/4	16 1/2	24 3/8

with AUXILIARY SWITCH	
J1	J2
16 7/8	21 3/4

MECHANICAL INTERLOCK with 45° TERMINALS							
Amps	A2	B	C2	E2	I	J1	J2
1600-2000	22 3/4	10 1/2	8 3/8	7 7/8	3/4	17 3/4	25 5/8

BASIC SWITCH with 90° TERMINALS							
Amps	A3	B	C3	E3	I	J1	J2
1600-2000	16 7/8	8 1/8	8 5/8	7 7/8	3/4	16 1/2	24 3/8

with AUXILIARY SWITCH	
J1	J2
17	21 3/4

MECHANICAL INTERLOCK with 90° TERMINALS							
Amps	A3	B	C3	E3	I	J1	J2
1600-2000	16 7/8	8 1/8	10	7 7/8	3/4	17 3/4	25 5/8

PANEL DRILLING