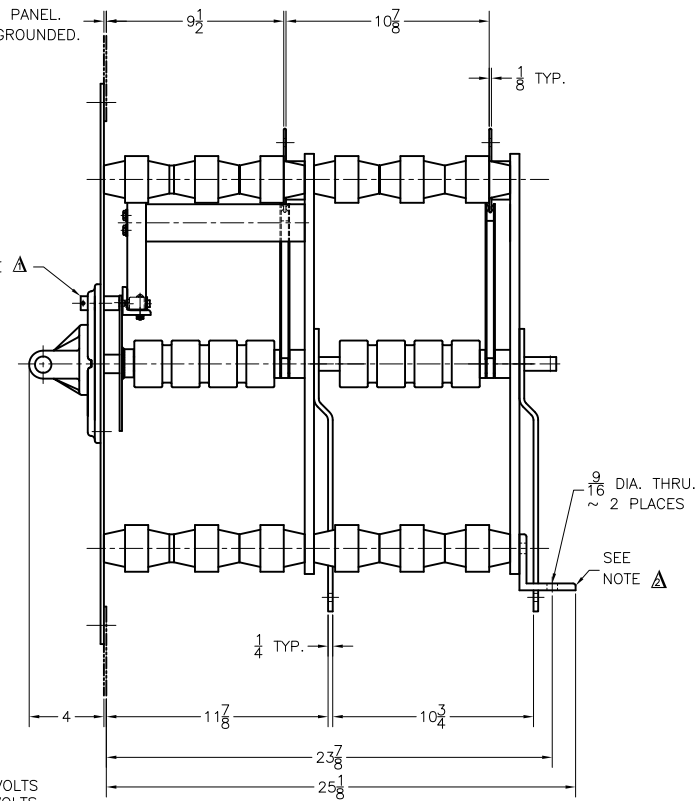


1/8 REF. CUSTOMER PANEL.
PANEL SHOULD BE GROUNDED.

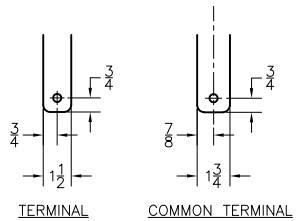


SWITCH VOLTAGES

TERMINAL TO TERMINAL	4,800 VOLTS
ROTOR TO TERMINAL	15,000 VOLTS
DECK TO GROUND	15,000 VOLTS
COMMON TERMINAL TO COMMON TERMINAL	15,000 VOLTS

Δ NOTE - MECHANICAL INTERLOCK: PULL KNOB BEFORE OPERATING MAIN HANDLE, KNOB ACTIVATES A SPDT AUXILIARY SWITCH - 15 AMP AT 480 VAC.

Δ NOTE - SWITCH SHOULD BE SUPPORTED AT REAR FOR VERTICAL LOADING.



CUSTOMER CONNECTION

CUSTOMER NOTE:
ALL TERMINALS ARE SILVER PLATED.
ALL INSULATION IS RED POLYGLASS.

REV	DESCRIPTION	DATE
ROMAN		
SCALE: NONE	APPROVED BY:	DRAWN BY: Scot
DATE: 11Mar99		REVISED:
200 AMP - 15K VOLTS - 60 HZ - 2 DECK - 6 POSITION ROTARY TAP SWITCH WITH MECHANICAL INTERLOCK		
RS2-206-54990		DRAWING NUMBER: RSB-01280