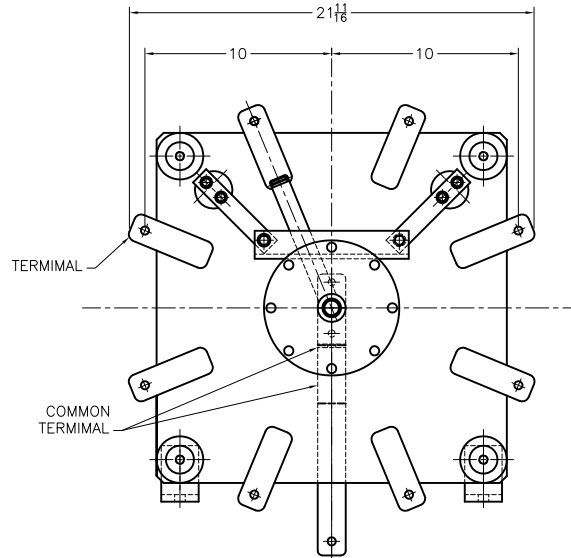
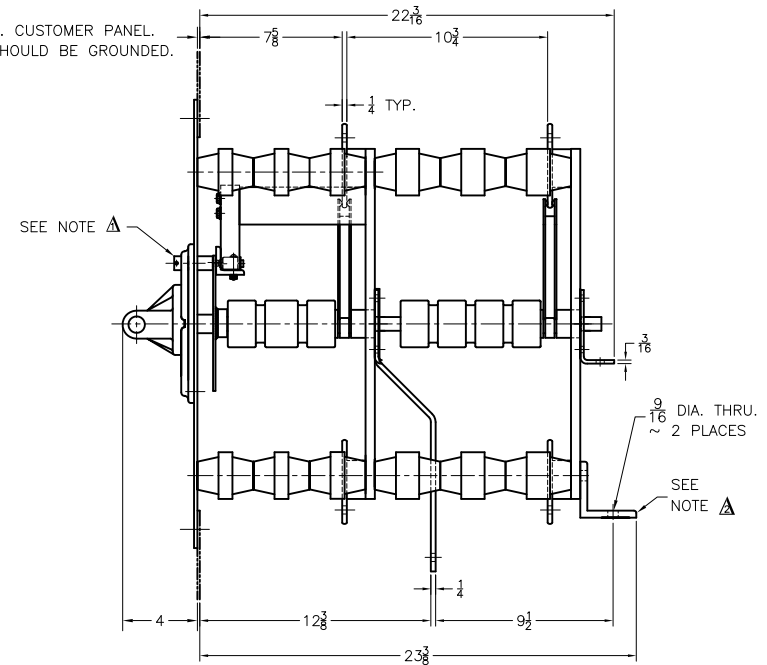


PANEL SPACE



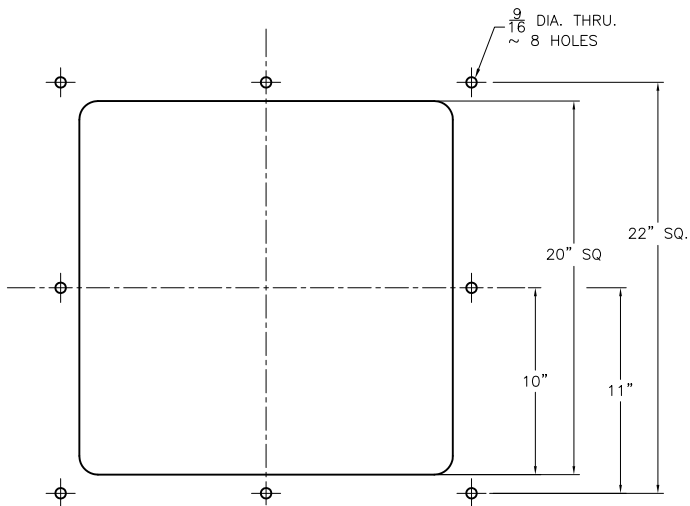
FRONT VIEW  
COVERS REMOVED

1/8 REF. CUSTOMER PANEL.  
PANEL SHOULD BE GROUNDED.



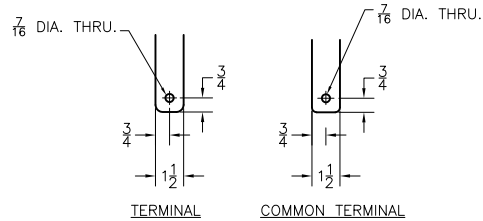
Δ NOTE - MECHANICAL INTERLOCK: PULL KNOB BEFORE OPERATING MAIN HANDLE, KNOB ACTIVATES A SPDT AUXILIARY SWITCH - 15 AMP AT 480 VAC.

Δ NOTE - SWITCH SHOULD BE SUPPORTED AT REAR FOR VERTICAL LOADING.



PANEL DRILLING

SWITCH VOLTAGES	
TERMINAL TO TERMINAL	1,000 VOLTS
TERMINAL #1 TO TERMINAL #8 AND TO COMMON TERMINAL	7,000 VOLTS
DECK TO GROUND	7,200 VOLTS
DECK TO DECK	7,200 VOLTS



CUSTOMER CONNECTION

CUSTOMER NOTE:  
ALL TERMINALS ARE SILVER PLATED.  
ALL INSULATION IS RED POLYGLASS.

A	ADDED SECOND DECK	SDR / SDR	23AU99
REV	DESCRIPTION	DATE	
<b>ROMAN</b>			
SCALE: NONE	APPROVED BY:	DRAWN BY: Scot	
DATE: 6-7-99		REVISED:	
400 AMP - 7.2K VOLTS - 60 HZ - TWO PHASE - 8 POSITION ROTARY TAP SWITCH WITH MECHANICAL INTERLOCK			
RS2-408-55214			DRAWING NUMBER: RSB-01389-A