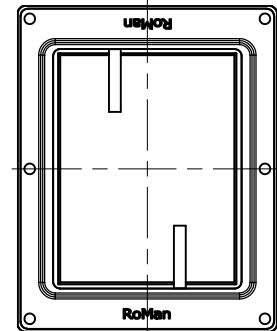
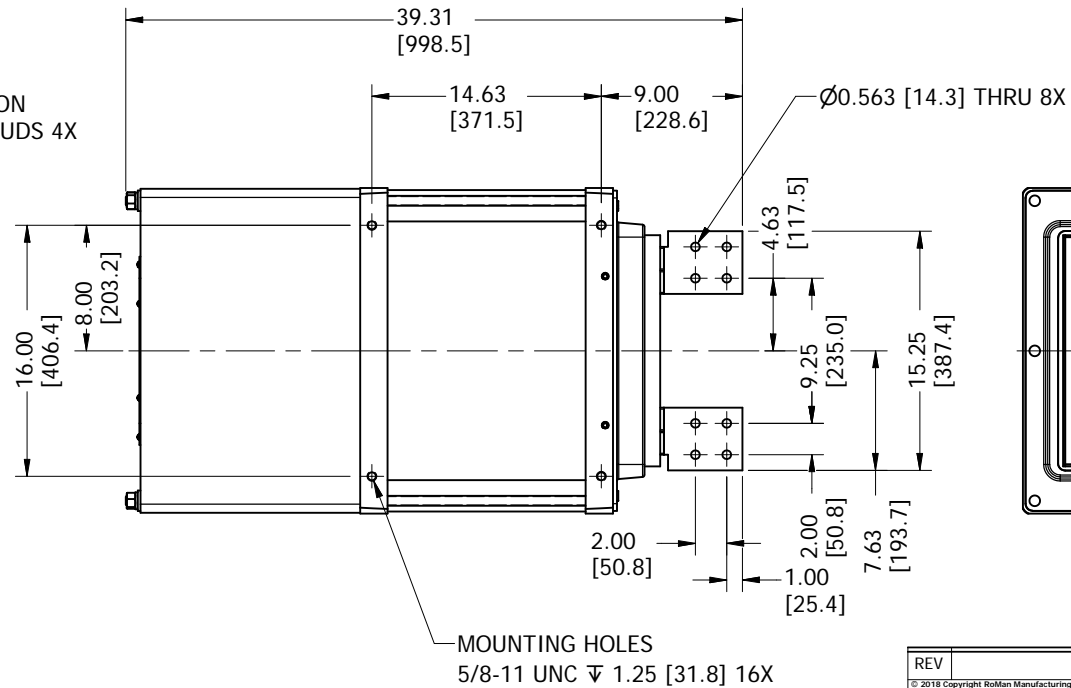
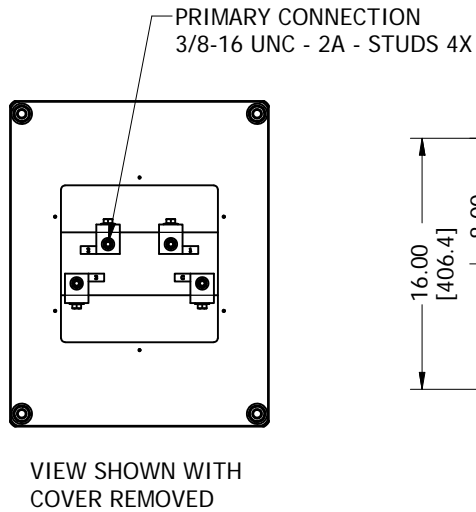
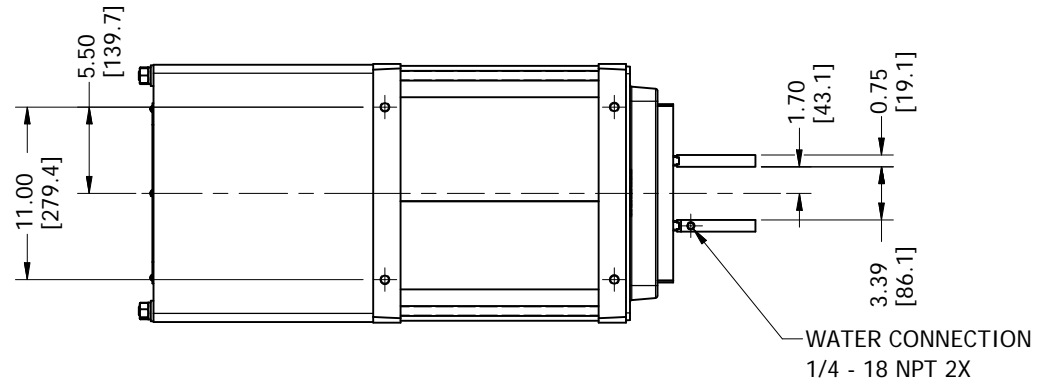


TAP	PRIMARY TURNS	SECONDARY TURNS	SECONDARY VOLTS	PRIMARY CURRENT	SECONDARY CURRENT	KVA
1	33	3	43.6	937.5	10313	450
2	30	3	48.0	937.5	9375	450
3	27	3	53.3	937.5	8438	450

MODEL NUMBER	KVA @ 100% DUTY CYCLE	PRIMARY VOLTS/FREQ	SECONDARY VOLTS	TURNS RATIO	STEPS	APPROX. WEIGHT
B486450X8160LX	450	480V/60Hz	43.6 - 53.3	33:3 - 27:3	3	1455 LBS [662 KG]

COOLING REQUIREMENTS: 2 GPM MIN @ 30°C MAX INLET TEMPERATURE



DIMENSIONS: IN [MM]

REV	DESCRIPTION	DATE
<small>© 2018 Copyright RoMan Manufacturing. THIS DRAWING AND ALL THE INFORMATION AND TECHNOLOGY IN IT ARE EXCLUSIVE, CONFIDENTIAL AND PROPRIETARY TO RoMan MANUFACTURING, INC. THIS DRAWING IS OWNED BY RoMan MANUFACTURING, INC., AND UNLESS SPECIFICALLY AUTHORIZED IN WRITING, NO COPIES SHALL BE MADE OF THIS DRAWING, AND SHALL BE USED ONLY FOR THE LIMITED PURPOSE FOR WHICH IT IS DISCLOSED AND ONLY TO THE BENEFIT OF RoMan MANUFACTURING, INC. AND IT AND ANY COPIES, AUTHORIZED OR NOT, SHALL BE IMMEDIATELY RETURNED UPON ANY REQUEST THEREFOR.</small>		
SCALE:	NONE	DETAILER: betit
DATE:	4/30/2018	DESIGNER: betit
	RoMan MANUFACTURING	APPROX WEIGHT: N/A
FURNACE TRANSFORMER		
PHYSICAL DRAWING		DRAWING NUMBER: 8160-1