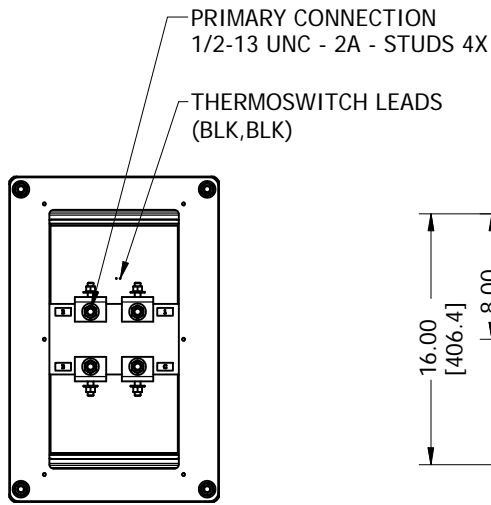
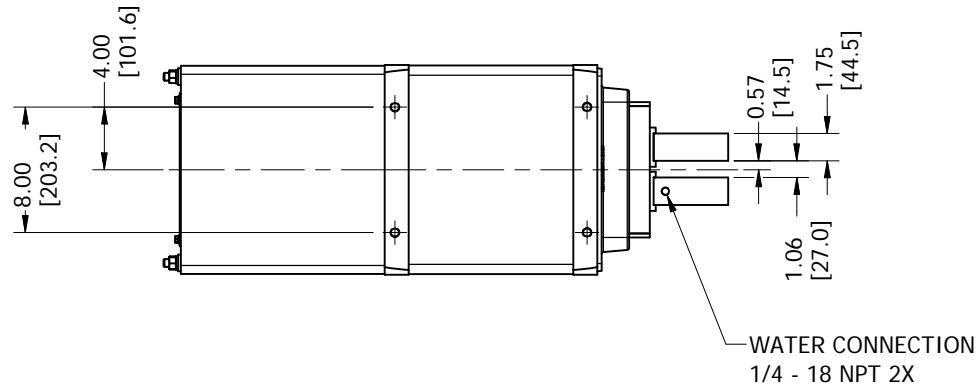


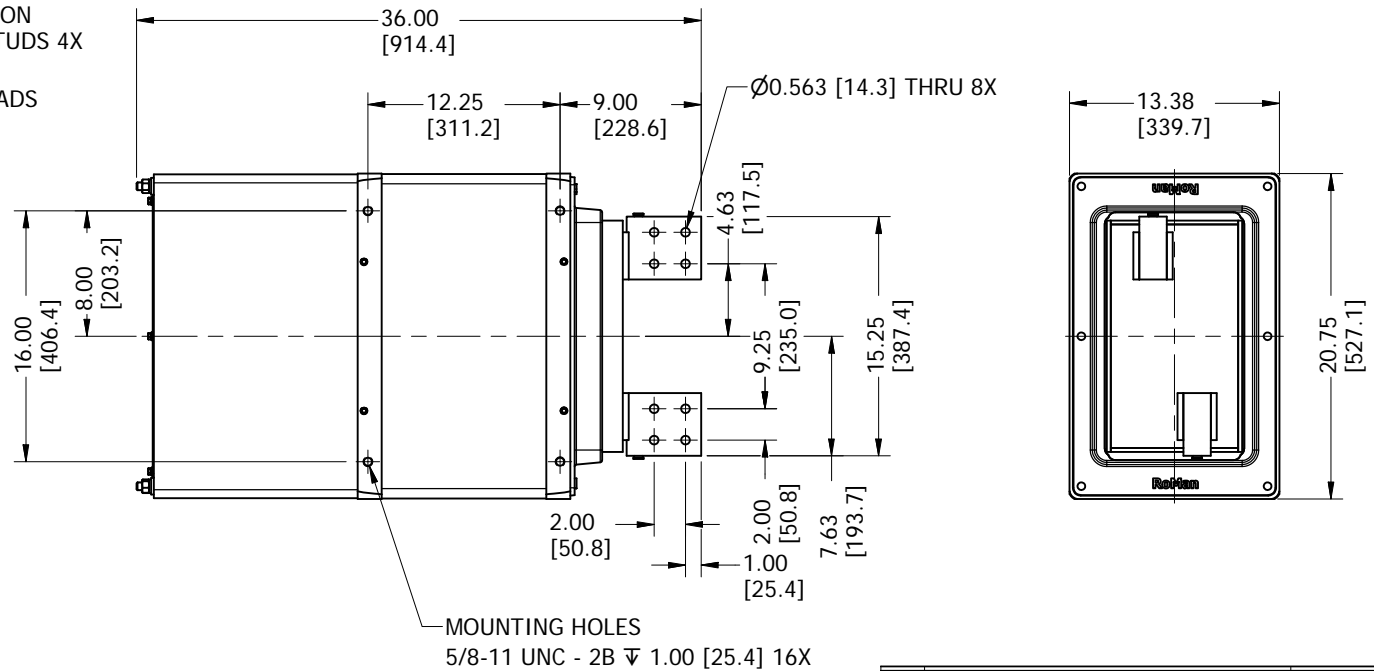
| TAP | PRIMARY TURNS | SECONDARY TURNS | SECONDARY VOLTS | PRIMARY CURRENT | SECONDARY CURRENT | KVA |
|-----|---------------|-----------------|-----------------|-----------------|-------------------|-----|
| 1 | 42 | 2 | 22.9 | 833.3 | 17500 | 400 |
| 2 | 38 | 2 | 25.3 | 833.3 | 15833 | 400 |
| 3 | 35 | 2 | 27.4 | 833.3 | 14583 | 400 |

| MODEL NUMBER | KVA @ 100% DUTY CYCLE | PRIMARY VOLTS/FREQ | SECONDARY VOLTS | TURNS RATIO | STEPS | APPROX. WEIGHT |
|----------------|-----------------------|--------------------|-----------------|-------------|-------|----------------------|
| B486400X8182LX | 400 | 480V/60Hz | 22.9 - 27.4 | 42:2 - 35:2 | 3 | 1030 LBS [468 KG] |

COOLING REQUIREMENTS: 2 GPM MIN @ 30°C MAX INLET TEMPERATURE



VIEW SHOWN WITH COVER REMOVED



DIMENSIONS: IN [MM]

| REV | DESCRIPTION | DATE |
|---|-------------------------------|----------------------------------|
| <small>© 2018 Copyright RoMan Manufacturing. THIS DRAWING AND ALL THE INFORMATION AND TECHNOLOGY IN IT ARE EXCLUSIVE, CONFIDENTIAL AND PROPRIETARY TO RoMan MANUFACTURING, INC. THIS DRAWING IS OWNED BY RoMan MANUFACTURING, INC., AND UNLESS SPECIFICALLY AUTHORIZED IN WRITING, NO COPIES SHALL BE MADE OF THIS DRAWING, AND SHALL BE USED ONLY FOR THE LIMITED PURPOSE FOR WHICH IT IS DISCLOSED AND ONLY TO THE BENEFIT OF RoMan MANUFACTURING, INC. AND IT AND ANY COPIES, AUTHORIZED OR NOT, SHALL BE IMMEDIATELY RETURNED UPON ANY REQUEST THEREFORE.</small> | | |
| SCALE: | NONE | DETAILER: jbelit |
| DATE: | 5/24/2018 | DESIGNER: jbelit |
| | RoMan MANUFACTURING | APPROX WEIGHT: 1029.5 lbmass |
| FURNACE TRANSFORMER | | |
| PHYSICAL DRAWING | | DRAWING NUMBER: 8182-1 |