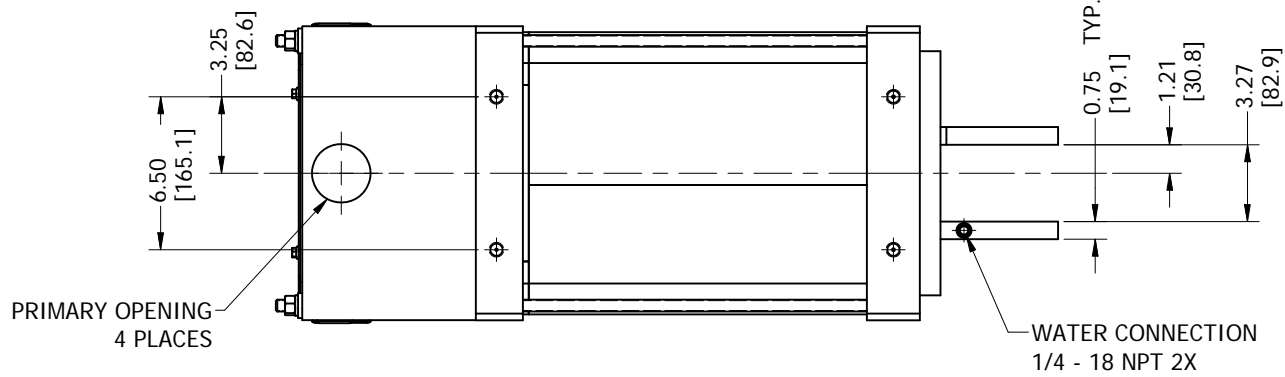


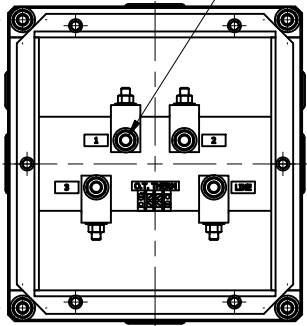
TAP	PRIMARY TURNS	SECONDARY TURNS	SECONDARY VOLTS	PRIMARY CURRENT	SECONDARY CURRENT	KVA
1	42	2	22.8	375	7875	180
2	38	2	25.3	375	7125	180
3	35	2	27.4	375	6562	180

MODEL NUMBER	KVA @ 100% DUTY CYCLE	PRIMARY VOLTS/FREQ	SECONDARY VOLTS	TURNS RATIO	STEPS	APPROX. WEIGHT
B486180X8183LX	180	480V/60Hz	22.8 - 27.4	42:2 - 35:2	3	740 LBS [336 KG]

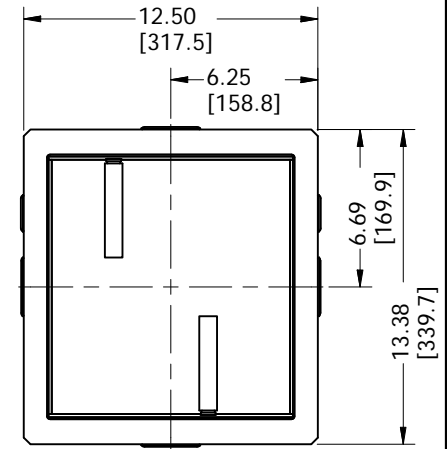
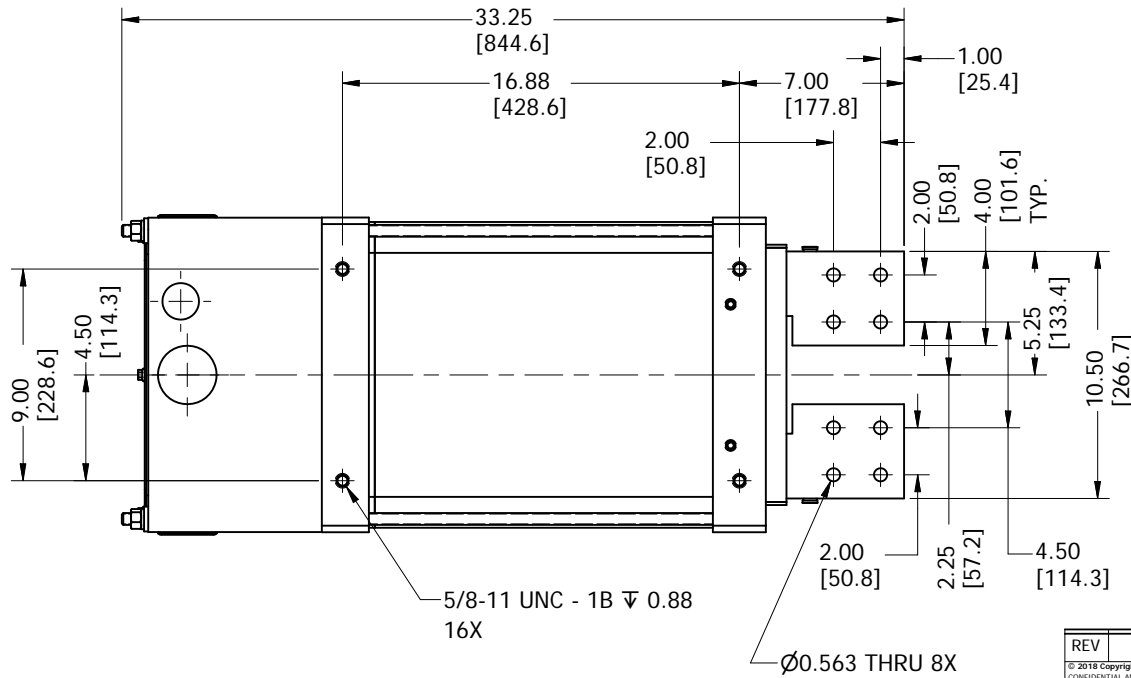
COOLING REQUIREMENTS: 1 GPM [3.8 LPM] MIN @ 30°C MAX INLET TEMPERATURE



PRIMARY CONNECTION
1/2-13 UNC - 2A - 4X



VIEW SHOWN WITH
COVER REMOVED



DIMENSIONS: IN [MM]

REV	DESCRIPTION	DATE
<small>© 2018 Copyright RoMan Manufacturing. THIS DRAWING AND ALL THE INFORMATION AND TECHNOLOGY IN IT ARE EXCLUSIVE, CONFIDENTIAL AND PROPRIETARY TO RoMan MANUFACTURING, INC. THIS DRAWING IS OWNED BY RoMan MANUFACTURING, INC., AND UNLESS SPECIFICALLY AUTHORIZED IN WRITING, NO COPIES SHALL BE MADE OF THIS DRAWING, AND SHALL BE USED ONLY FOR THE LIMITED PURPOSE FOR WHICH IT IS DISCLOSED AND ONLY TO THE BENEFIT OF RoMan MANUFACTURING, INC. AND IT AND ANY COPIES, AUTHORIZED OR NOT, SHALL BE IMMEDIATELY RETURNED UPON ANY REQUEST THEREFOR.</small>		
SCALE:	NONE	DETAILER: bconner
DATE:	5/22/2018	DESIGNER: bconner
		APPROX. WEIGHT: 735.9 lbmass
TRANSFORMER ASSY		
		DRAWING NUMBER: 8183-1