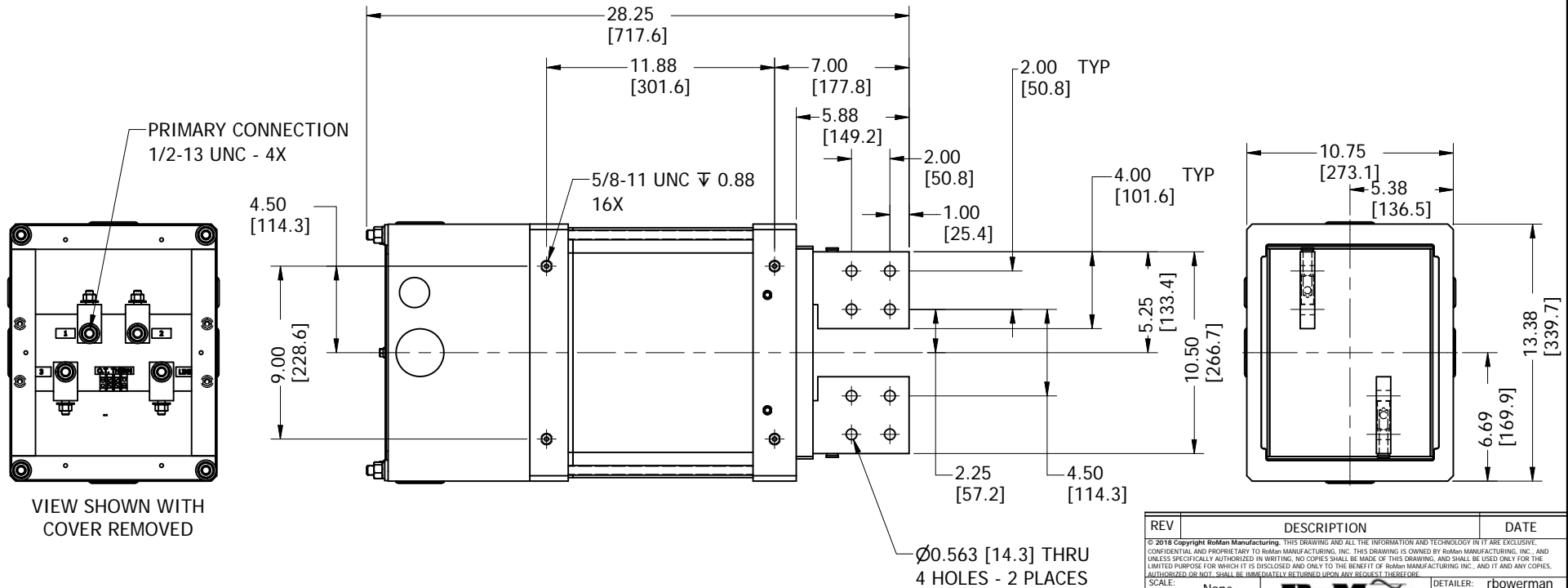
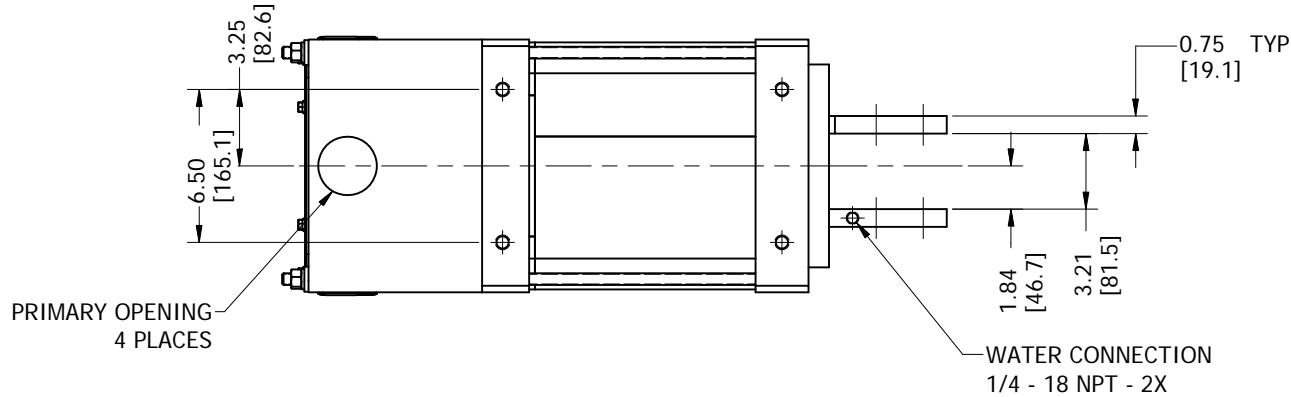


TAP	PRIMARY TURNS	SECONDARY TURNS	SECONDARY VOLTS	SECONDARY CURRENT	PRIMARY CURRENT	KVA
1	66	4	29.1	3437.5	208.3	100
2	60	4	32.0	3125.0	208.3	100
3	54	4	35.6	2812.5	208.3	100

MODEL NUMBER	KVA @ 100% DUTY CYCLE	PRIMARY VOLTS/FREQ	SECONDARY VOLTS	TURNS RATIO	STEPS	APPROX. WEIGHT
B486100X8188LX	100	480V/60Hz	29.1 - 35.6	66:4 - 54:4	3	450 LBS [204 KG]

COOLING REQUIREMENTS: 1 GPM [3.8 LPM] MIN @ 30°C MAX INLET TEMPERATURE



DIMENSIONS: IN [MM]

REV	DESCRIPTION	DATE
None		
6/4/2018		

© 2018 Copyright RoMan Manufacturing. THIS DRAWING AND ALL THE INFORMATION AND TECHNOLOGY IN IT ARE EXCLUSIVE, CONFIDENTIAL AND PROPRIETARY TO RoMan Manufacturing, Inc. THIS DRAWING IS OWNED BY RoMan Manufacturing, Inc., AND UNLESS SPECIFICALLY AUTHORIZED IN WRITING, NO COPIES SHALL BE MADE OF THIS DRAWING, AND SHALL BE USED ONLY FOR THE LIMITED PURPOSE FOR WHICH IT IS DISCLOSED AND ONLY TO THE BENEFIT OF RoMan Manufacturing, Inc. AND IT AND ANY COPIES, AUTHORIZED OR NOT, SHALL BE IMMEDIATELY RETURNED UPON ANY REQUEST THEREFOR.

SCALE: None

DATE: 6/4/2018

DESIGNER: rbowerman

APPROX WEIGHT: 448.6 lbmass

**RoMan**  
MANUFACTURING

DETAILER: rbowerman

TRANSFORMER

DRAWING NUMBER:  
8188-1