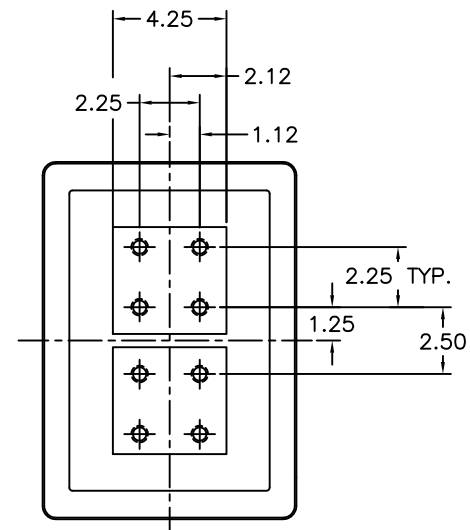
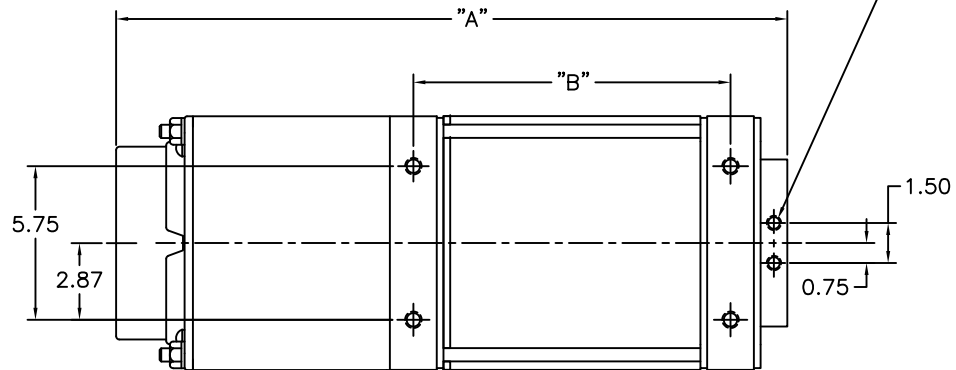
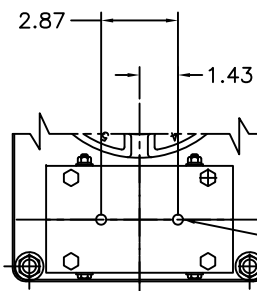


| FRAME LETTER | DIM "A" | DIM "B" |
|--------------|---------|---------|
| NL | 25.12 | 11.87 |
| NA | 27.37 | 14.12 |
| NB | 23.25 | 10.00 |
| | | |

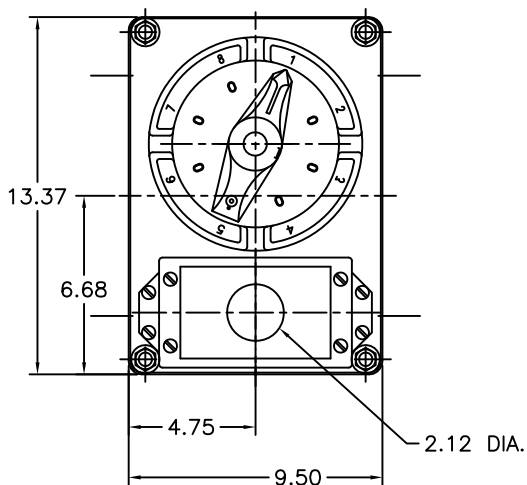
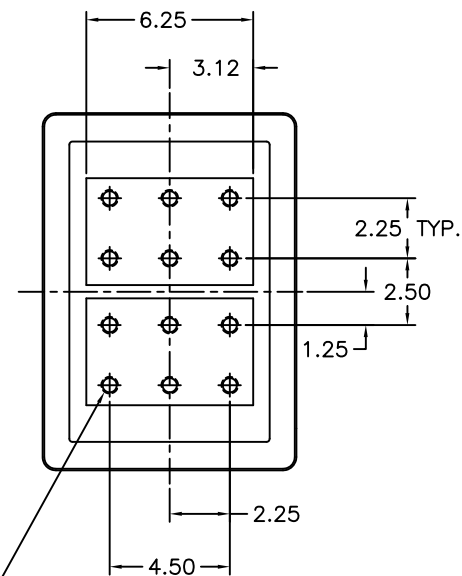
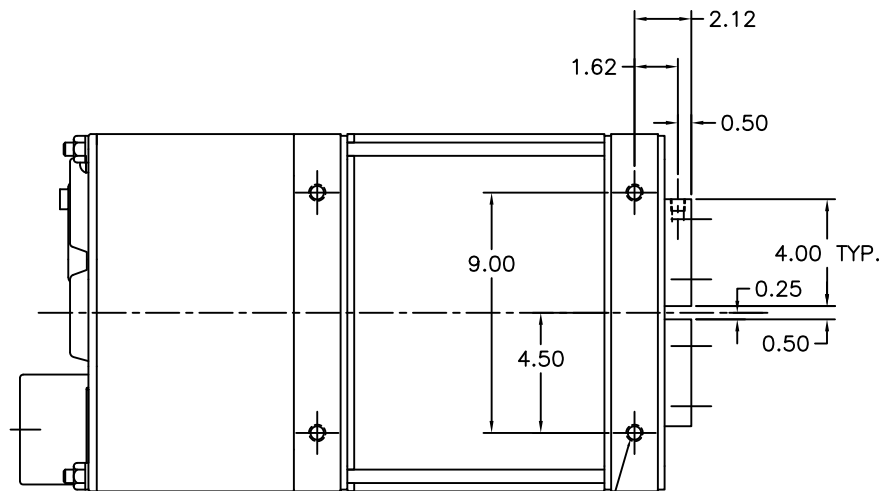
1/4 N.P.T. WATER CONNECTIONS
1 G.P.M. MINIMUM ~ 2 PLACES



1 R.W.M.A. PAD OPTION



CLAMP BLOCK OPTION



5/8-11 X 0.87 DEEP TAPPED
MTG. HOLES ~ 16 PLACES

5/8-11 X 0.75 DEEP TAP
12 PLACES



MACHINE TYPE TRANSFORMER

TAP SWITCH: END MOUNT
FRAME CROSS SECTION: 9.50" X 13.37"

DRAWING NO. R1206
DATE: DEC. 1982

REV. C
SEPT 2006