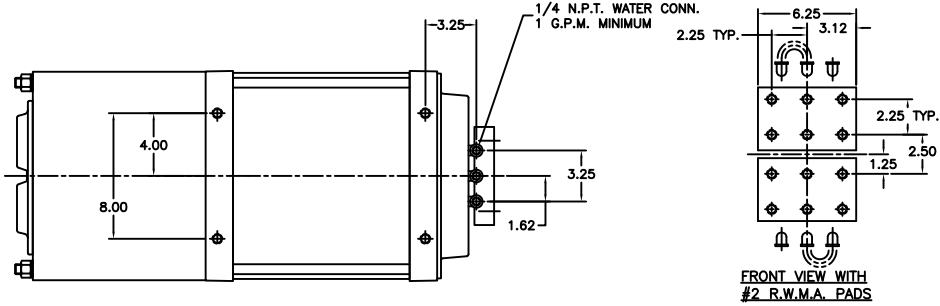
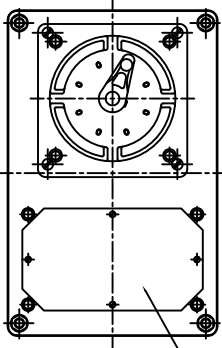


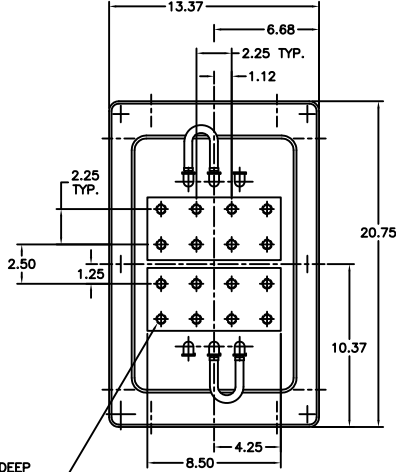
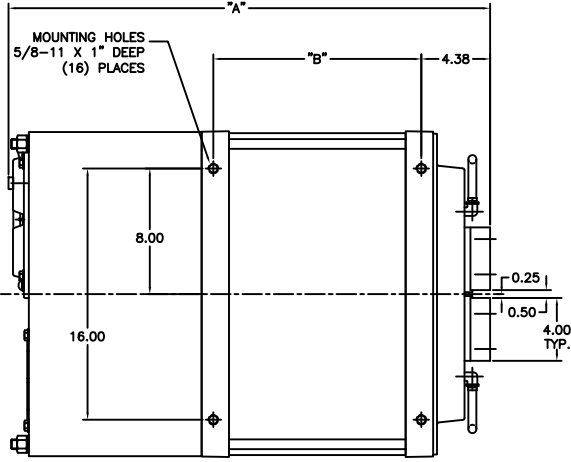
FRAME LETTER	DIM "A"	DIM "B"
V	31.09	11.62
VA	32.71	13.25



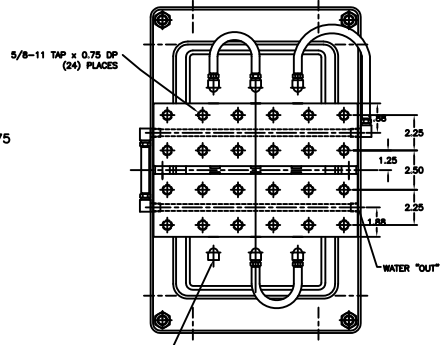
FRONT VIEW WITH #2 R.W.M.A. PADS



PRIMARY CONNECTION



FRONT VIEW WITH #3 R.W.M.A. PADS



FRONT VIEW WITH #4 R.W.M.A. PADS



MACHINE TYPE TRANSFORMER  
TAP SWITCH: END MOUNT  
FRAME CROSS SECTION: 13.37" X 20.75"

DRAWING NO. R1286  
DATE: OCT. 1982

REV. E  
OCT 2012

E	ADDED 34" TO DIM "A"	28OCT12
D	ADDED VIEW OF FRIMA #4 PADS	17OCT12
C	UPDATED HOLES VIEW	11May10
B	CHANGED FRACTIONS TO DECIMALS	28MAY08
A	CHANGED OVER TO CAD	28MAY08
REV	DESCRIPTION	DATE

SCALE: NONE	ROVIMAN	DRAWN BY: BK
DATE: 28Jun08	CHECKED BY: BK	
CATALOG DRAWING		
FAMILY MACHINE TYPE		DRAWING NUMBER: R1286