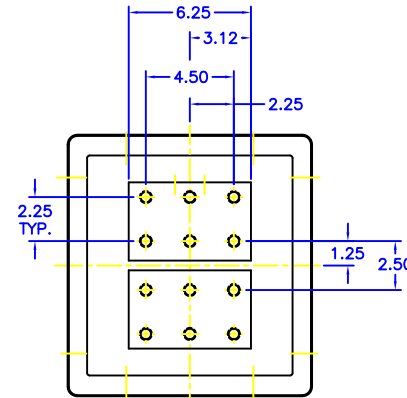
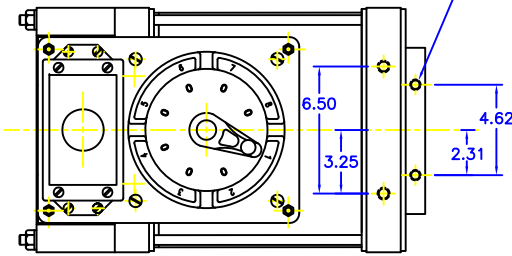
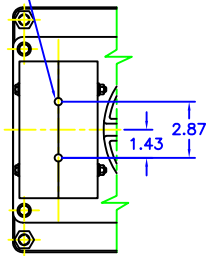


| FRAME LETTER | DIM "A" | DIM "B" |
|--------------|---------|---------|
| PL           | 19.87   | 12.87   |
| PA           | 22.12   | 15.12   |
|              |         |         |
|              |         |         |

0.37 DIA. ~ 2 HOLES

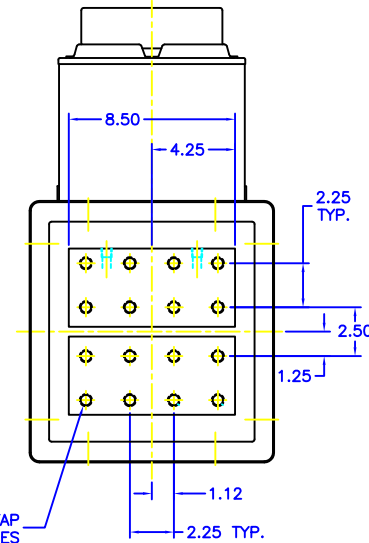
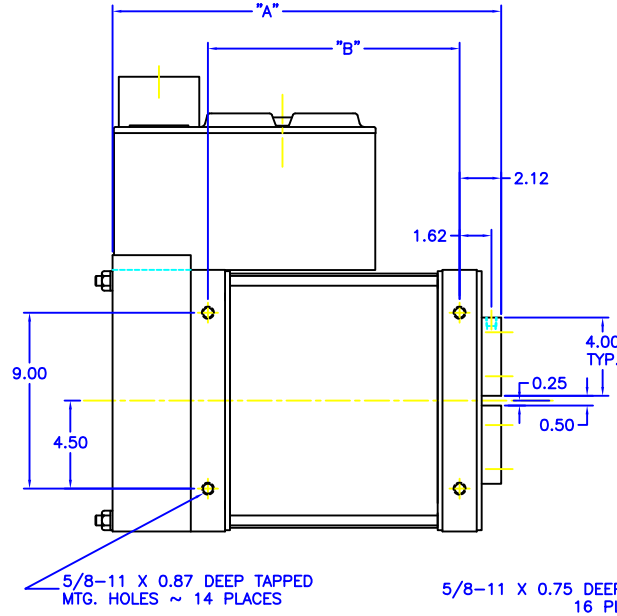
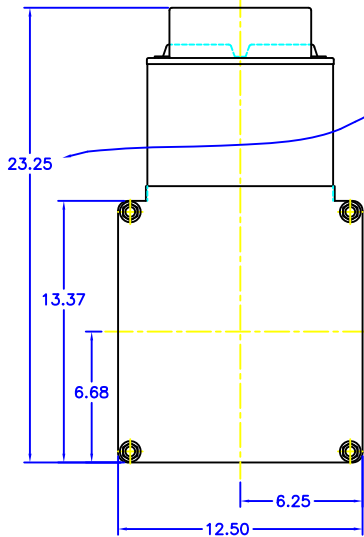
1/4 N.P.T. WATER CONNECTION  
1 G.P.M. MINIMUM ~ 2 PLACES

CLAMP BLOCK OPTION



#2 R.W.M.A. PAD OPTION

DEDUCT 1.62 FROM HEIGHT FOR CLAMP BLOCK OPTION



# MACHINE TYPE TRANSFORMER

TAP SWITCH: SIDE MOUNT  
FRAME CROSS SECTION: 12.50" X 13.37"

DRAWING NO. R1305  
DATE: DEC. 1982

REV. B  
JUNE 1999

| REV | DESCRIPTION                  | DATE    |
|-----|------------------------------|---------|
| B   | CHANGE FRACTIONS TO DECIMALS | 28Jun99 |
| A   | CHANGED OVER TO CAD          | 28Jan98 |
|     |                              |         |
|     |                              |         |

SCALE: NONE  
DATE: 28Jan98

DRAWN BY: BK  
 CHECKED BY: BK

CATALOG DRAWING

"P" FAMILY MACHINE TYPE      DRAWING NUMBER: R1305