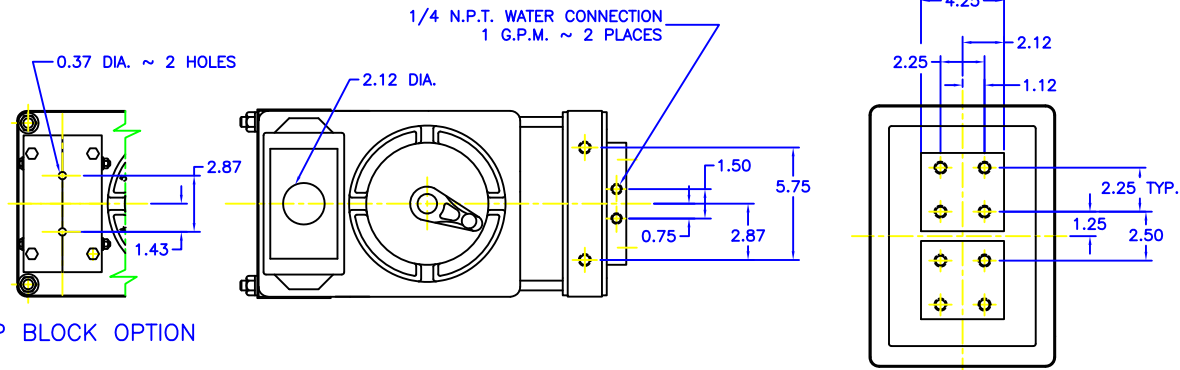
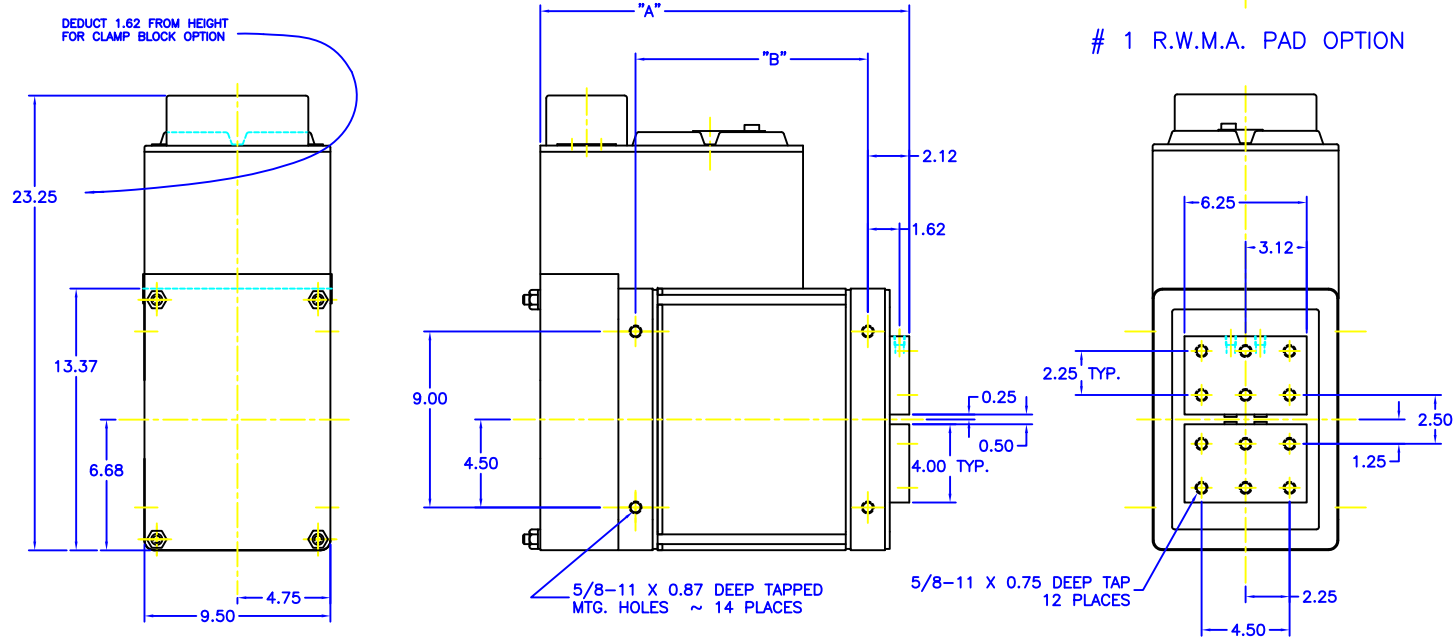


FRAME LETTER	DIM "A"	DIM "B"
NL	18.87	11.87
NA	21.12	14.12
NB	17.00	10.00



CLAMP BLOCK OPTION

1 R.W.M.A. PAD OPTION



MACHINE TYPE TRANSFORMER

TAP SWITCH: SIDE MOUNT
 FRAME CROSS SECTION: 9.50" X 13.37"

DRAWING NO. R1306
 DATE: JAN. 1983

REV. B
 JUNE 1999

B	CHANGE FRACTIONS TO DECIMALS	29Jun99
A	CHANGED OVER TO CAD	20Jan98
REV	DESCRIPTION	DATE
SCALE: NONE	APPROVED BY:	DRAWN BY: BK
DATE: 20Jan98	REVISION:	
CATALOG DRAWING		
"N" FAMILY MACHINE TYPE		DRAWING NUMBER: R1306