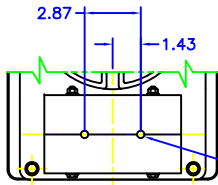
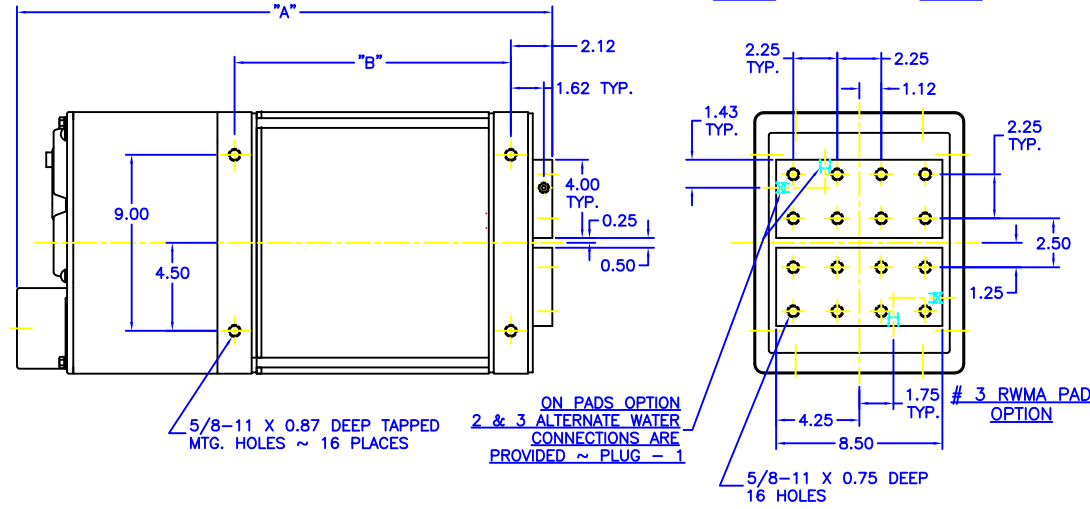
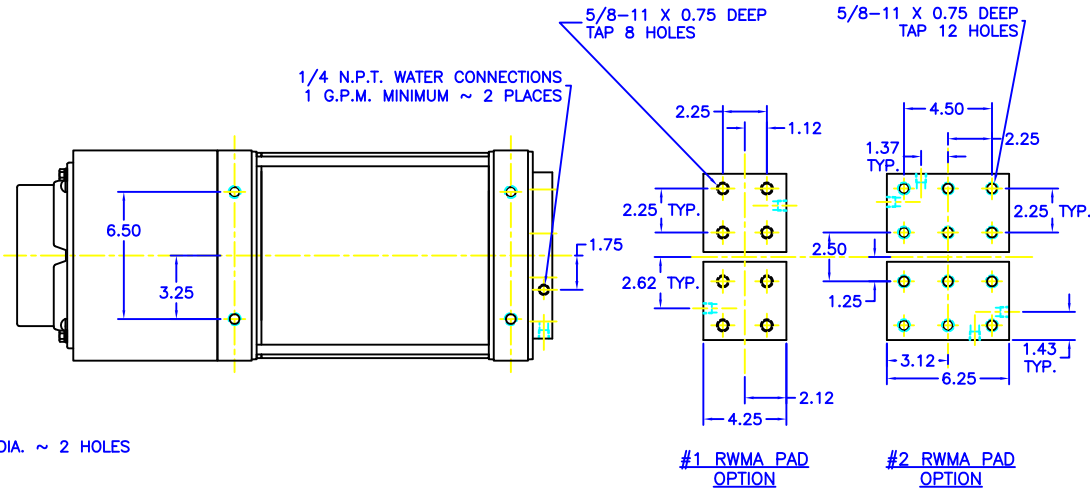
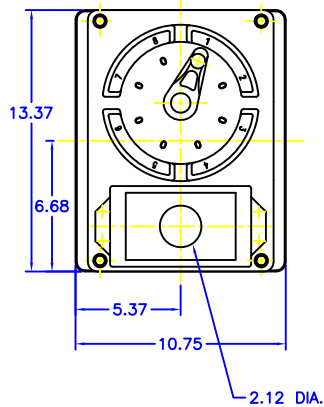


FRAME LETTER	DIM "A"	DIM "B"
ML	25.12	11.87
MA	27.37	14.12

DEDUCT 1.62 FROM DIM "A" FOR CLAMP BLOCK OPTION



CLAMP BLOCK OPTION



MACHINE TYPE TRANSFORMER
 TAP SWITCH: END MOUNT
 FRAME CROSS SECTION: 10.75" X 13.37"

DRAWING NO. R1471
 DATE: AUG. 14, 1986

REV. C
 29Jun99

C	CHANGE FRACTIONS TO DECIMALS	29Jun99
B	CHANGED OVER TO CAD	19Jan98
A		14Mar88
REV	DESCRIPTION	DATE
SCALE	NONE	DRAWN BY: BK
DATE	20Jan98	REVISED:
CATALOG DRAWING		
"M" FAMILY MACHINE TYPE		DRAWING NUMBER: R1471