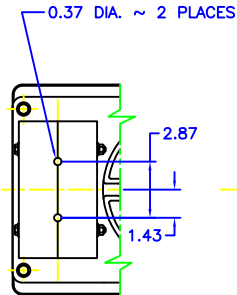
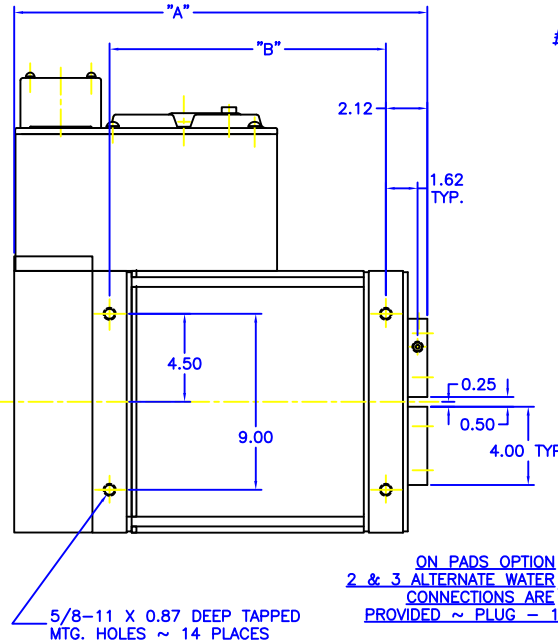
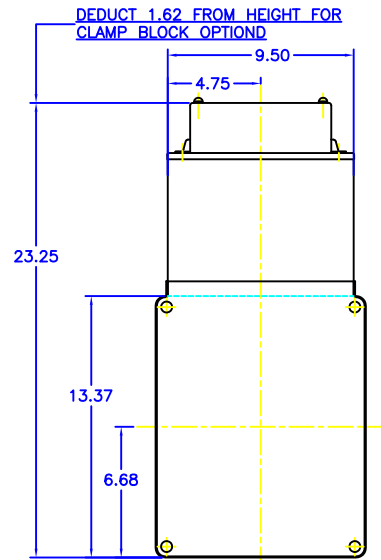
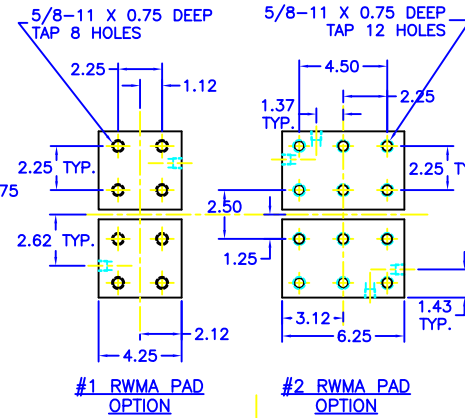
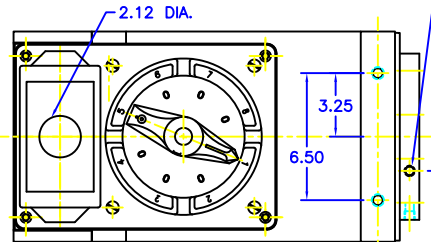


FRAME LETTER	DIM "A"	DIM "B"
ML	18.87	11.87
MA	21.12	14.12

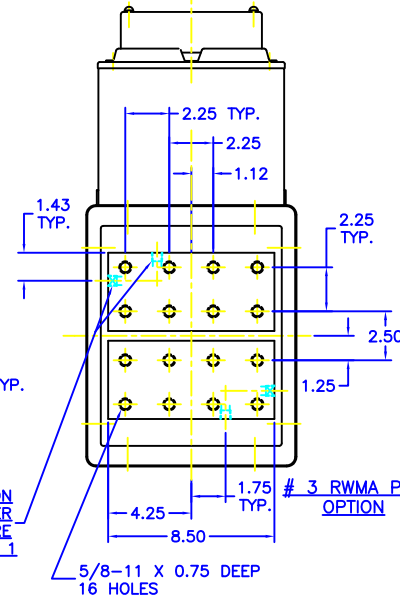
CLAMP BLOCK OPTION



1/4 N.P.T. WATER CONNECTIONS  
1 G.P.M. MINIMUM ~ 2 PLACES



ON PADS OPTION  
2 & 3 ALTERNATE WATER  
CONNECTIONS ARE  
PROVIDED ~ PLUG - 1



**MACHINE TYPE TRANSFORMER**  
TAP SWITCH: SIDE MOUNT  
FRAME CROSS SECTION: 10.75" X 13.37"

DRAWING NO. R1472  
DATE: AUG. 14, 1986

REV. C  
JUNE 1999

C	CHANGE FRACTIONS TO DECIMALS	28Jun99
B	CHANGED OVER TO CAD	28Jan98
A		14Mar88
REV	DESCRIPTION	DATE
SCALE: NONE	APPROVED BY:	DRAWN BY: BK
DATE: 28Jan98		REVISED:
<b>CATALOG DRAWING</b>		
"M" FAMILY MACHINE TYPE		DRAWING NUMBER: R1472