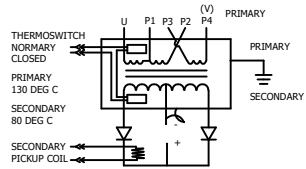


MODEL NUMBER	KVA @ 50% DUTY CYCLE	PRI V / FREQ	V/SEC	TURNS RATIO	MAX. Δ P	FLOW RATE	MAX WEIGHT
TDC-5826	160	500/1000	9.0 - 13.1	55:1 - 38:1	14 PSI (.96 BAR)	7.5 LPM	29 KG

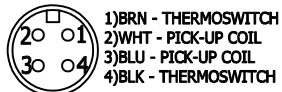


TRANSFORMER CASE MUST BE GROUNDED.

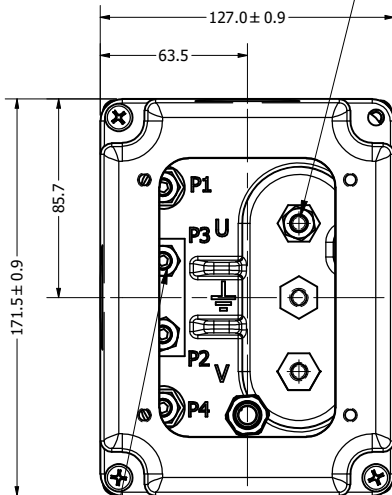
FOR SAFETY, ROMAN MFG. RECOMMENDS GROUNDING OF SECONDARY CIRCUIT PER OUR UNIVERSAL PRODUCT MANUAL. TRANSFORMER IS SHIPPED WITH A BONDING JUMPER BETWEEN SECONDARY & CASE.

SEE RATING CURVE FOR DUTY CYCLE REQUIREMENTS.

TURCK FS 4.4-0.5

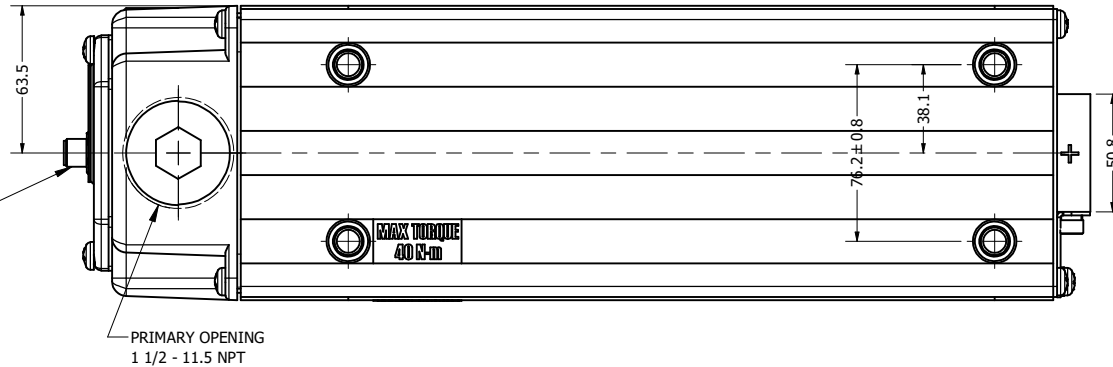


PRIMARY CONNECTION
M8x1.25 - 6H 3X

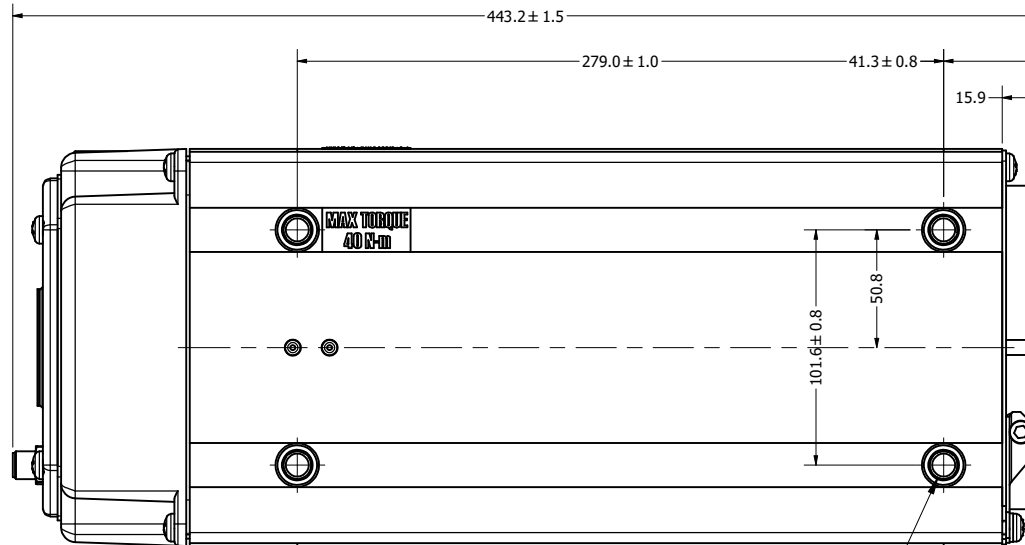


VIEW SHOWN WITH COVER REMOVED

HI TAP - LINK 'P1' TO 'P3' & 'P2' TO 'P4'
LO TAP - BOTH LINKS 'P2' TO 'P3'

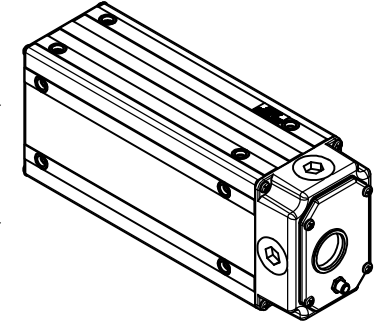


PRIMARY OPENING
1 1/2 - 11.5 NPT

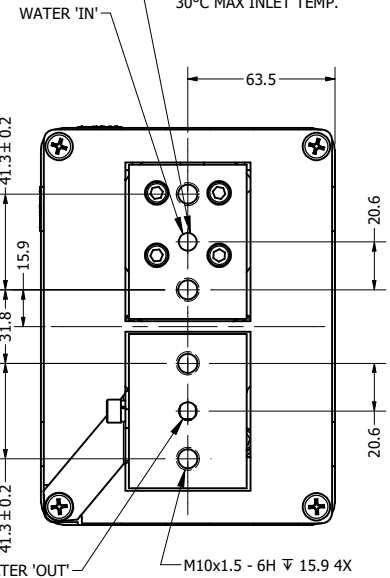


MOUNTING HOLES

└─┬─┘ Ø11.5MM ▽ 4.5MM
M10x1.5 - 6H ▽ 13.5MM 16X
MAX TORQUE 40 N·M



WATER CONNECTION (2) PLS
USE 10MM ID O-RING
30°C MAX INLET TEMP.



NOTE:
SEE RC-5826 FOR RATING CURVE
SEE LC-5826 FOR LOAD CURVE

ALL DIMENSIONS IN MILLIMETERS

NOTE*

The secondary terminals of this device are intended as an electrical connection only. Applications must be designed to minimize any forces applied to the secondary terminals, this can be accomplished by transferring forces to a structural member.

REV	DESCRIPTION	DATE
1	POWER SUPPLY, INVERTER DC	
<small>© 2017 Copyright RoMan Manufacturing. THIS DRAWING AND ALL THE INFORMATION AND TECHNOLOGY IN IT ARE EXCLUSIVE, CONFIDENTIAL AND PROPRIETARY TO RoMan MANUFACTURING, INC. THIS DRAWING IS OWNED BY RoMan MANUFACTURING, INC., AND UNLESS SPECIFICALLY AUTHORIZED IN WRITING, NO COPIES SHALL BE MADE OF THIS DRAWING, AND SHALL BE USED ONLY FOR THE LIMITED PURPOSE FOR WHICH IT IS DISCLOSED AND ONLY TO THE BENEFIT OF RoMan MANUFACTURING, INC. AND IT AND ANY COPIES, AUTHORIZED OR NOT, SHALL BE IMMEDIATELY RETURNED UPON ANY REQUEST THEREFOR.</small>		
SCALE:	NONE	DESIGNER: bconner
DATE:	6/28/2021	APPROX WEIGHT: N/A
		DETAILER: bconner
<p>POWER SUPPLY, INVERTER DC</p>		DRAWING NUMBER:
		5826-1