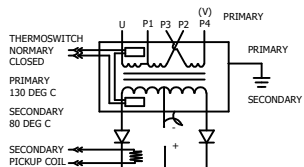


F.C.A. NPM #91-680-1002

MODEL NUMBER	KVA @ 50% DUTY CYCLE	PRI V / FREQ	V/SEC	TURNS RATIO	MAX. Δ P	FLOW RATE	MAX WEIGHT
TDC-5998-B	160	650/1000	9.0 - 13.0	72:1 - 50:1	14 PSI (.96 BAR)	7.5 LPM	29 KG



TRANSFORMER CASE MUST BE GROUND.

FOR SAFETY, ROMAN MFG. RECOMMENDS GROUNDING OF SECONDARY CIRCUIT PER OUR UNIVERSAL PRODUCT MANUAL. TRANSFORMER IS SHIPPED WITH A BONDING JUMPER BETWEEN SECONDARY & CASE.

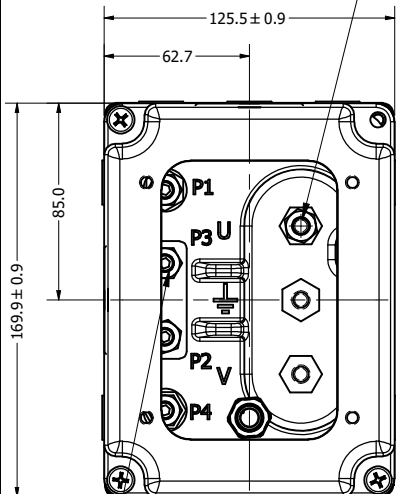
SEE RATING CURVE FOR DUTY CYCLE REQUIREMENTS.

TURCK FS 4.4-0.5



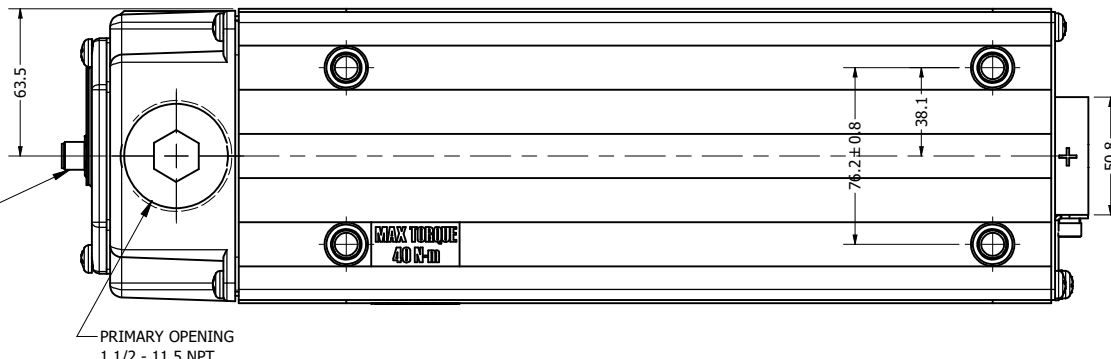
- 1) BRN - THERMOSWITCH
- 2) WHT - PICK-UP COIL
- 3) BLU - PICK-UP COIL
- 4) BLK - THERMOSWITCH

PRIMARY CONNECTION
M8x1.25 - 6H 3X

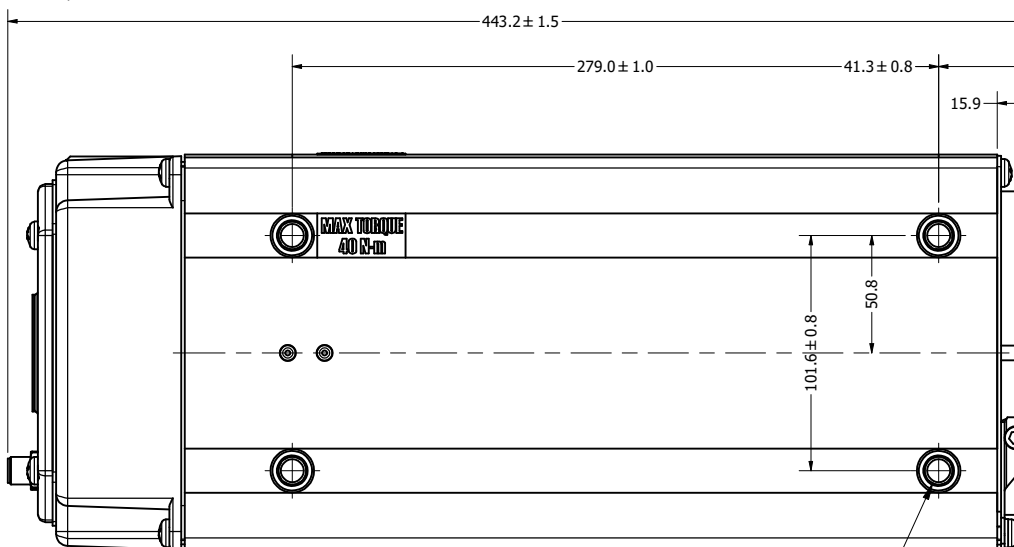


VIEW SHOWN WITH COVER REMOVED

HI TAP - LINK 'P1' TO 'P3' & 'P2' TO 'P4'
LO TAP - BOTH LINKS 'P2' TO 'P3'

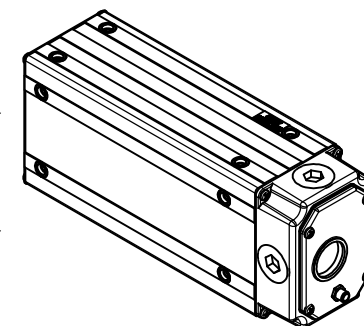


PRIMARY OPENING
1 1/2 - 11.5 NPT

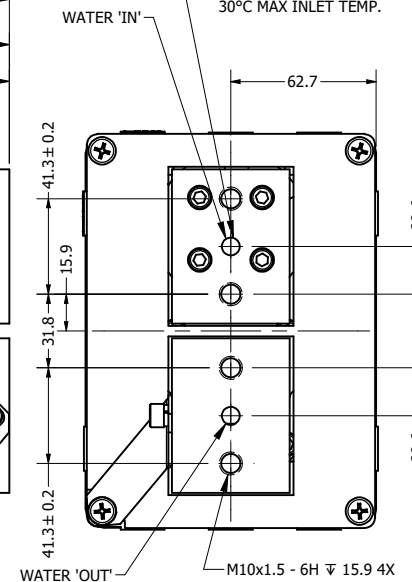


MOUNTING HOLES

└─┘ Ø11.5MM ▽ 4.5MM
M10x1.5 - 6H ▽ 13.5MM 16X
MAX TORQUE 40 N·M



WATER CONNECTION (2) PLS
USE 10MM ID O-RING
30°C MAX INLET TEMP.



NOTE*

The secondary terminals of this device are intended as an electrical connection only. Applications must be designed to minimize any forces applied to the secondary terminals, this can be accomplished by transferring forces to a structural member.

NOTE:
SEE RC-5998 FOR RATING CURVE
SEE LC-5998 FOR LOAD CURVE

ALL DIMENSIONS IN MILLIMETERS

E	UPDATED TO NEW STYLE DESIGN, REMOVED TDC-5826 & TDC-5999	BCC	RD	6/17/2021
D	ADDED PRESSURE DIFFERENTIAL INFO TO COOLING REQ.	KLY	KLY	7/1/2020
C	UPDATED TABLE TO F.C.A. NPM NUMBER, FROM CHRYSLER NUMBER	PRS	KLY	2/12/2015

REV	DESCRIPTION	DATE
-----	-------------	------

© 2017 Copyright RoMan Manufacturing. THIS DRAWING AND ALL THE INFORMATION AND TECHNOLOGY IN IT ARE EXCLUSIVE, CONFIDENTIAL AND PROPRIETARY TO RoMan MANUFACTURING, INC. THIS DRAWING IS OWNED BY RoMan MANUFACTURING, INC., AND UNLESS SPECIFICALLY AUTHORIZED IN WRITING, NO COPIES SHALL BE MADE OF THIS DRAWING, AND SHALL BE USED ONLY FOR THE LIMITED PURPOSE FOR WHICH IT IS ISSUED AND ONLY TO THE BENEFIT OF RoMan MANUFACTURING, INC. AND IT AND ANY COPIES, AUTHORIZED OR NOT, SHALL BE IMMEDIATELY RETURNED UPON ANY REQUEST THEREFOR.

SCALE:	NONE	DETAILER:	bconner
DATE:	5/31/2007	DESIGNER:	bconner
		APPROX WEIGHT:	N/A

POWER SUPPLY, INVERTER DC



DRAWING NUMBER:
5998-1