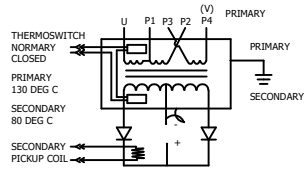


MODEL NUMBER	KVA @ 50% DUTY CYCLE	PRI V / FREQ	V/SEC	TURNS RATIO	MAX. Δ P	FLOW RATE	MAX WEIGHT
TDC-5999-B	160	800/1000	9.0 - 13.1	88:1 - 61:1	14 PSI (.96 BAR)	7.5 LPM	29 KG



TRANSFORMER CASE MUST BE GROUNDED.

FOR SAFETY, ROMAN MFG. RECOMMENDS GROUNDING OF SECONDARY CIRCUIT PER OUR UNIVERSAL PRODUCT MANUAL. TRANSFORMER IS SHIPPED WITH A BONDING JUMPER BETWEEN SECONDARY & CASE.

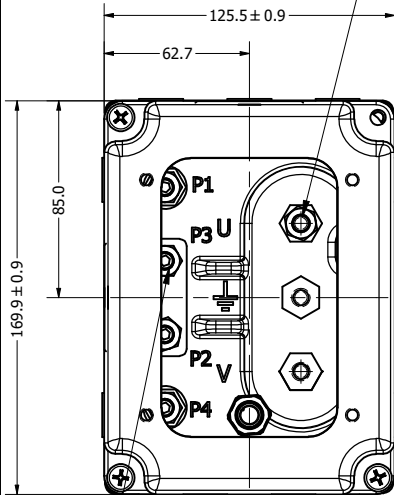
SEE RATING CURVE FOR DUTY CYCLE REQUIREMENTS.

TURCK FS 4.4-0.5



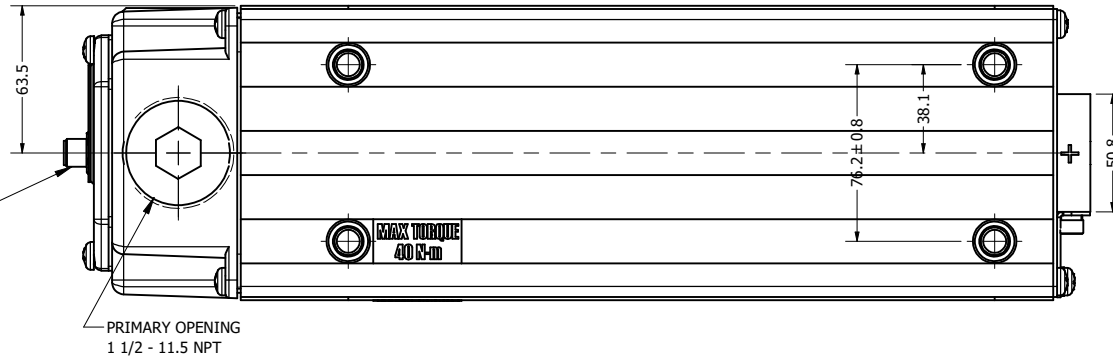
- 1) BRN - THERMOSWITCH
- 2) WHT - PICK-UP COIL
- 3) BLU - PICK-UP COIL
- 4) BLK - THERMOSWITCH

PRIMARY CONNECTION
M8x1.25 - 6H 3X

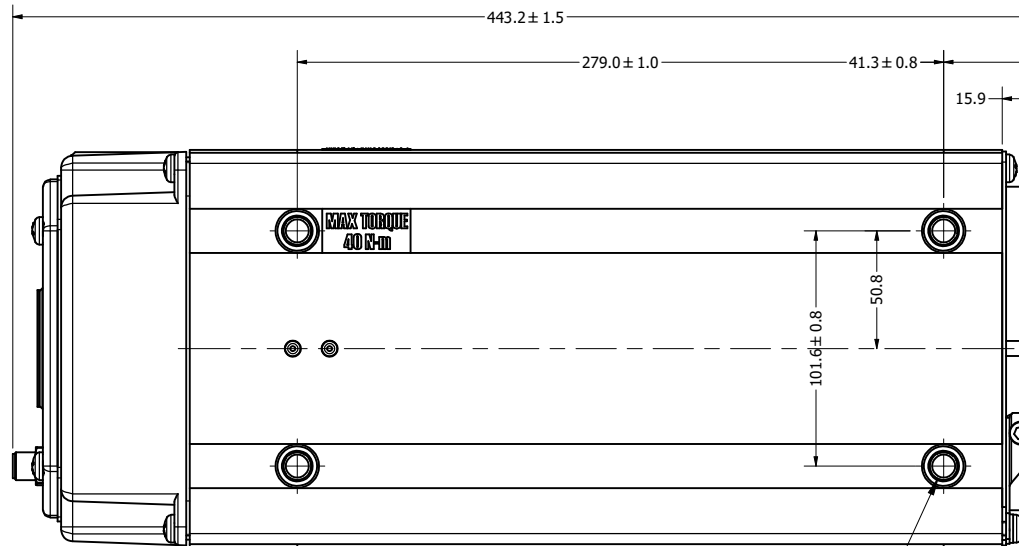


VIEW SHOWN WITH COVER REMOVED

HI TAP - LINK 'P1' TO 'P3' & 'P2' TO 'P4'
LO TAP - BOTH LINKS 'P2' TO 'P3'

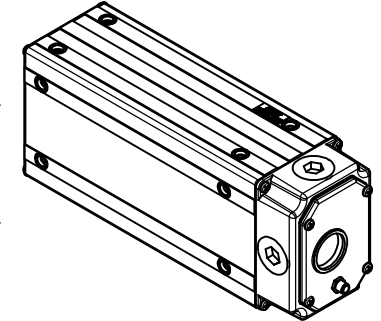


PRIMARY OPENING
1 1/2 - 11.5 NPT

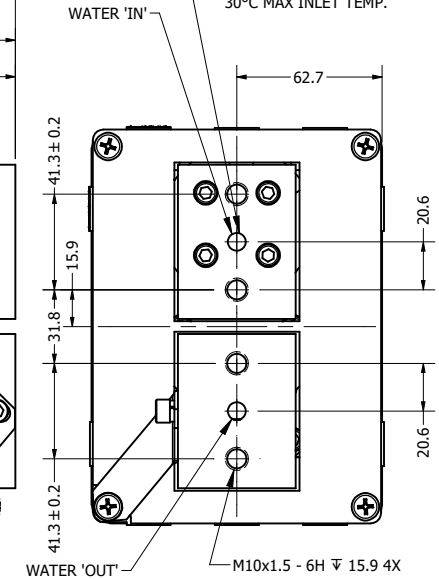


MOUNTING HOLES

└─┘ Ø11.5MM ▽ 4.5MM
M10x1.5 - 6H ▽ 13.5MM 16X
MAX TORQUE 40 N·M



WATER CONNECTION (2) PLS
USE 10MM ID O-RING
30°C MAX INLET TEMP.



NOTE*

The secondary terminals of this device are intended as an electrical connection only. Applications must be designed to minimize any forces applied to the secondary terminals, this can be accomplished by transferring forces to a structural member.

NOTE:
SEE RC-5999 FOR RATING CURVE
SEE LC-5999 FOR LOAD CURVE

ALL DIMENSIONS IN MILLIMETERS

REV	DESCRIPTION	DATE
SCALE: NONE	RoMan MANUFACTURING	DESIGNER: bconner
DATE: 6/28/2021		APPROX WEIGHT: N/A
POWER SUPPLY, INVERTER DC		
		DRAWING NUMBER: 5999-1