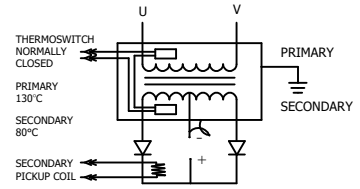
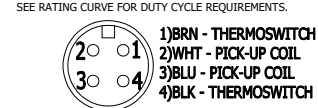


MODEL NUMBER	KVA @ 50% DUTY CYCLE	PRI V / FREQ	SEC V	TURNS RATIO	MAX. Δ P	STEPS	FLOW RATE	APPROX. WEIGHT
TDC-8438	100	650/1000	9.0	72:1	10 PSI (.69 BAR)	1	6 LPM	16.8 KG

COOLING: RATINGS BASED ON 30°C MAX INLET TEMPERATURE

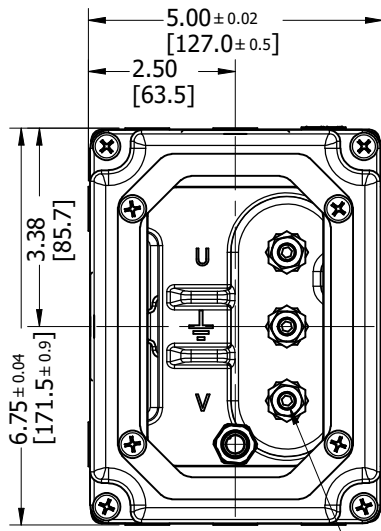


TRANSFORMER CASE MUST BE GROUNDED.
 FOR SAFETY, ROMAN MFG. RECOMMENDS GROUNDING OF SECONDARY CIRCUIT PER OUR UNIVERSAL PRODUCT MANUAL. TRANSFORMER IS SHIPPED WITH A BONDING JUMPER BETWEEN SECONDARY & CASE.

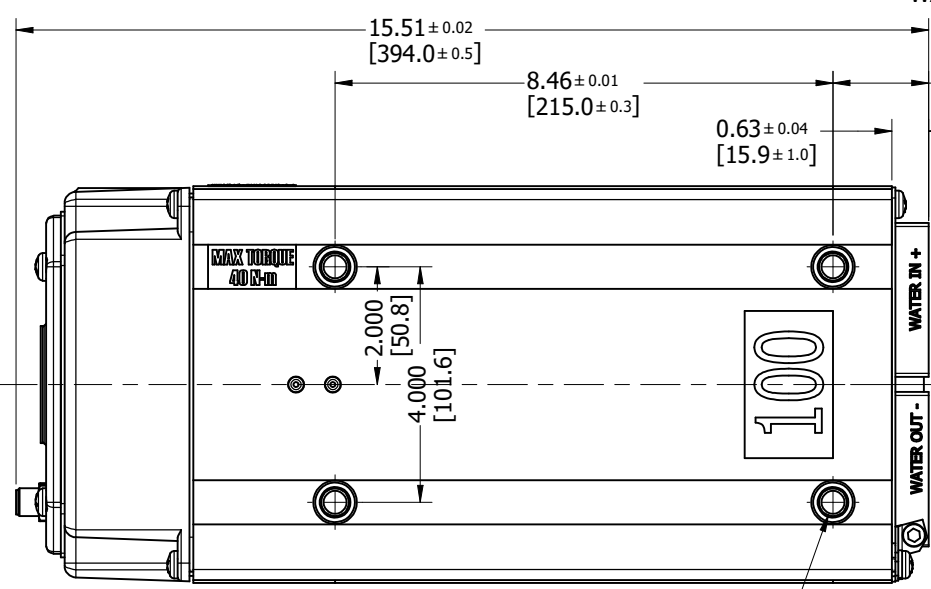
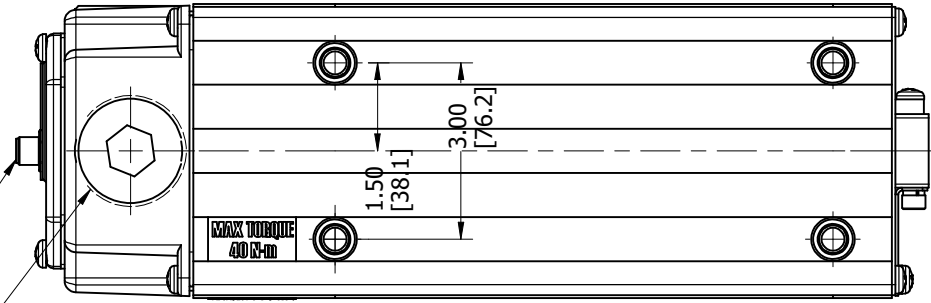


TURCK FS 4.4-0.5

PRIMARY OPENING
 1 1/2 - 11.5 NPT 3X

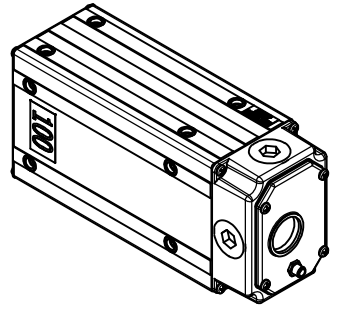


VIEW SHOWN WITH COVER REMOVED

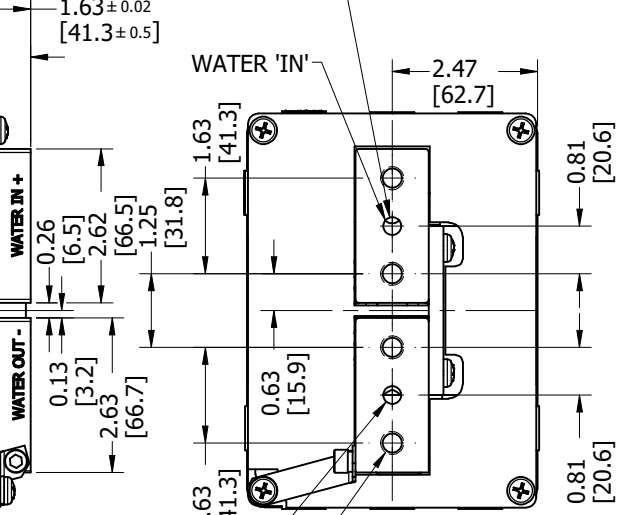


PRIMARY CONNECTION
 M8x1.25 - 6g STUD 3X

MOUNTING HOLES
 □ Ø11.5MM ∇ 4.5MM
 M10x1.5 - 6H ∇ 13.5MM 16X
 MAX TORQUE 40 N·m



WATER CONNECTION (2) PLS
 USE 10MM I.D. O-RING
 30°C INLET TEMP.



WATER 'IN' M10x1.5 - 6H ∇ 0.65 [15] 4X
 WATER 'OUT'

NOTE*
 The secondary terminals of this device are intended as an electrical connection only. Applications must be designed to minimize any forces applied to the secondary terminals, this can be accomplished by transferring forces to a structural member.

NOTE:
 SEE RC-8438 FOR RATING CURVE
 SEE LC-8438 FOR LOAD CURVE

DIMENSIONS: IN [MM]

TOLERANCES UNLESS OTHERWISE SPECIFIED:
 FRACTIONS = +/- 1/32
 DECIMALS
 .X = +/- .020
 .XX = +/- .010
 .XXX = +/- .005
 .XXXX = +/- .0010
 ANGLES = +/- 1'
 FINISH IN RMS = 125 MAX
 CONCENTRICITY = .010 TIR
 BREAK ALL SHARP EDGES
 UNLESS OTHERWISE SPECIFIED

REV	DESCRIPTION	DATE
1	POWER SUPPLY	

© 2020 Copyright RoMan Manufacturing. THIS DRAWING AND ALL THE INFORMATION AND TECHNOLOGY IN IT ARE EXCLUSIVE, CONFIDENTIAL AND PROPRIETARY TO RoMan MANUFACTURING, INC. THIS DRAWING IS OWNED BY RoMan MANUFACTURING, INC., AND UNLESS SPECIFICALLY AUTHORIZED IN WRITING, NO COPIES SHALL BE MADE OF THIS DRAWING, AND SHALL BE USED ONLY FOR THE LIMITED PURPOSE FOR WHICH IT IS DISCLOSED AND ONLY TO THE BENEFIT OF RoMan MANUFACTURING INC., AND IT AND ANY COPIES, AUTHORIZED OR NOT, SHALL BE IMMEDIATELY RETURNED UPON ANY REQUEST THEREFOR.

SCALE: NONE
 DATE: 6/23/2020
 MANUFACTURING

DETAILER: bconner
 DESIGNER: bconner
 APPROX WEIGHT: N/A

PHYSICAL DRAWING
 DRAWING NUMBER: 8438-1