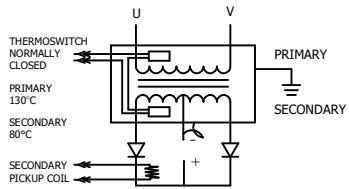


MODEL NUMBER	KVA @ 50% DUTY CYCLE	PRI V / FREQ	SEC V	TURNS RATIO	MAX. Δ P	STEPS	FLOW RATE	APPROX. WEIGHT
TDC-8554	100	800/1000	9.2	87:1	10 PSI (.69 BAR)	1	6 LPM	16.8 KG

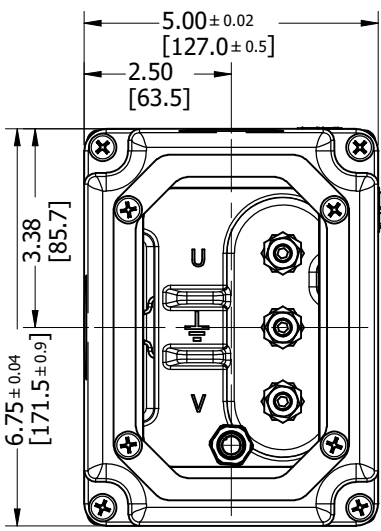
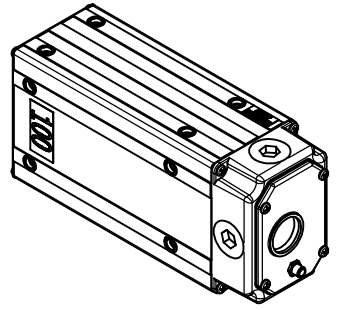
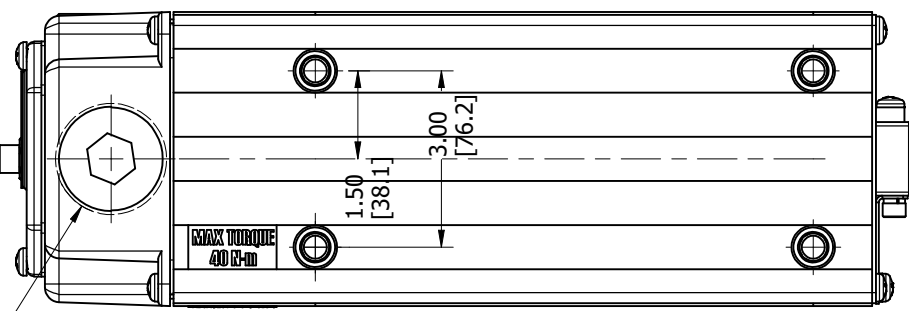
COOLING: RATINGS BASED ON 30°C MAX INLET TEMPERATURE



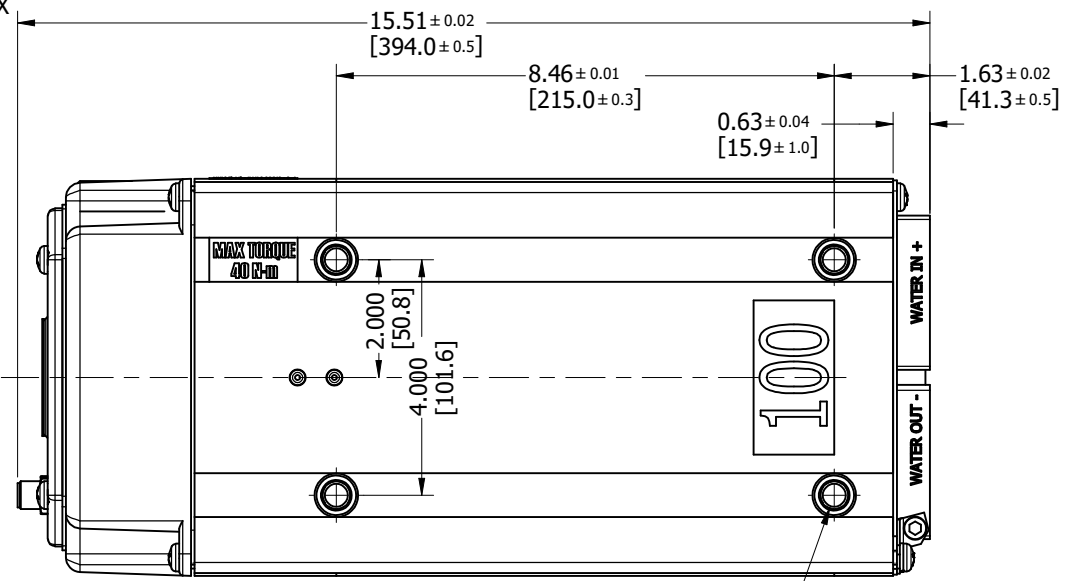
TRANSFORMER CASE MUST BE GROUNDED.  
 FOR SAFETY, ROMAN MFG. RECOMMENDS GROUNDING OF SECONDARY CIRCUIT PER OUR UNIVERSAL PRODUCT MANUAL. TRANSFORMER IS SHIPPED WITH A BONDING JUMPER BETWEEN SECONDARY & CASE.  
 SEE RATING CURVE FOR DUTY CYCLE REQUIREMENTS.

- 1) BRN - THERMOSWITCH
- 2) WHT - PICK-UP COIL
- 3) BLU - PICK-UP COIL
- 4) BLK - THERMOSWITCH

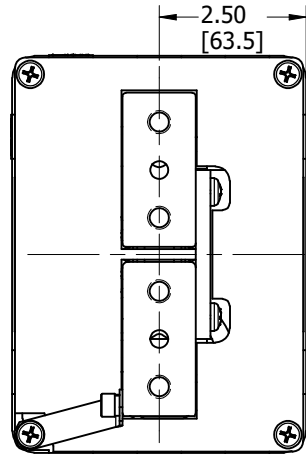
TURCK FS 4.4-0.5  
 PRIMARY OPENING  
 1 1/2 - 11.5 NPT 3X



VIEW SHOWN WITH COVER REMOVED



MOUNTING HOLES  
 □ Ø11.5MM ∇ 4.5MM  
 M10x1.5 - 6H ∇ 13.5MM 16X  
 MAX TORQUE 40 N·m



NOTE\*  
 The secondary terminals of this device are intended as an electrical connection only. Applications must be designed to minimize any forces applied to the secondary terminals, this can be accomplished by transferring forces to a structural member.

NOTE:  
 SEE RC-8554 FOR RATING CURVE  
 SEE LC-8554 FOR LOAD CURVE

DIMENSIONS: IN [MM]

TOLERANCES UNLESS OTHERWISE SPECIFIED:  
 FRACTIONS = +/- 1/32  
 DECIMALS  
 .X = +/- .020  
 .XX = +/- .010  
 .XXX = +/- .005  
 .XXXX = +/- .0010  
 ANGLES = +/- 1'  
 FINISH IN RMS = 125 MAX  
 CONCENTRICITY = .010 TIR  
 BREAK ALL SHARP EDGES  
 UNLESS OTHERWISE SPECIFIED

REV	DESCRIPTION	DATE
SCALE: NONE	<b>RoMan</b> MANUFACTURING	DESIGNER: bconner
DATE: 7/16/2021		APPROX WEIGHT: N/A
<b>POWER SUPPLY</b>		
PHYSICAL DRAWING		DRAWING NUMBER: <b>8554-1</b>