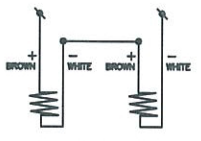


MODEL	KVA @ 50% DC	PRIMARY VOLT/FREQ	SECONDARY VOLTAGE (DC)	TURNS RATIO	WEIGHT LBS
TDC-5422	400	650/1000Hz	9.5 - 13.0	68:1 - 50:1	435

**NOTE\***

The secondary terminals of this device are intended as an electrical connection only. Applications must be designed to minimize any forces applied to the secondary terminals, this can be accomplished by transferring forces to a structural member.

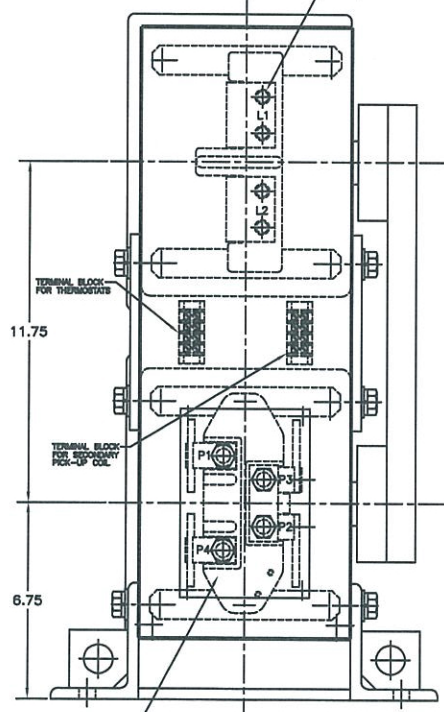
**COOLING REQUIREMENTS: 4 GPM @ 30°C PER CIRCUIT  
8 GPM TOTAL**



Sec. Pick Up Coil  
(connected in series)

NOTE:  
FOR ELECTRICAL SCHEMATIC SEE  
ROMAN DRAWING 5422-8.

PRIMARY CONNECTION  
1/2-13 STUDS - TYP



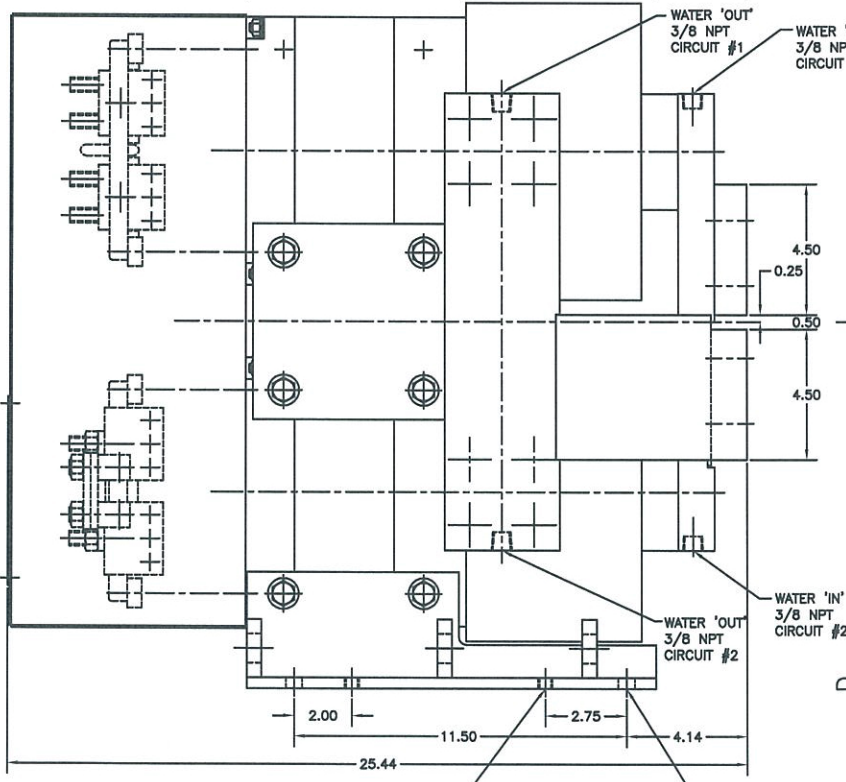
TERMINAL BLOCK  
FOR THERMOCOUPLE

TERMINAL BLOCK  
FOR SECONDARY  
PICK-UP COIL

HI/LO LINK BOARD  
LOW VOLTAGE  
CONNECT P2 TO P3

HIGH VOLTAGE  
CONNECT P1 TO P3  
CONNECT P2 TO P4

5422-1



WATER 'OUT'  
3/8 NPT  
CIRCUIT #1

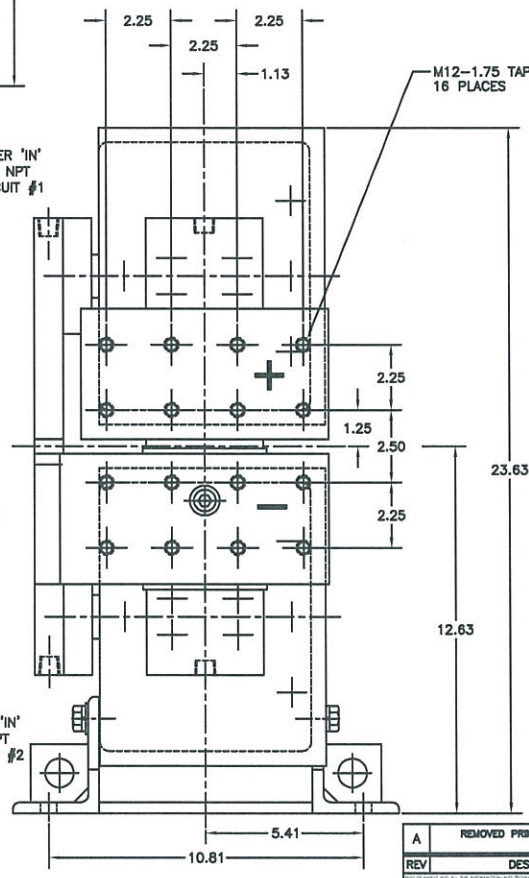
WATER 'IN'  
3/8 NPT  
CIRCUIT #1

WATER 'OUT'  
3/8 NPT  
CIRCUIT #2

WATER 'IN'  
3/8 NPT  
CIRCUIT #2

M12-1.75 TAP THRU  
4 PLACES

9/16 DIA  
4 PLACES



M12-1.75 TAP x 1.125 DEEP  
16 PLACES

REV	DESCRIPTION	DATE
A	REMOVED PRIMARY BOARD	20Jul07
C	ADDED WIRING SCHEMATIC NOTE	28JAN13
B	Added Terminal Strips for Thermoc & Sec. Pick-Up Coils	01Feb08

REVISED: 18May04	DR: MLS	DESIGNED BY: RB
<b>IRIDIUM</b>		
<b>DC POWER SUPPLY</b>		
DRAWING NUMBER: 5422-1		