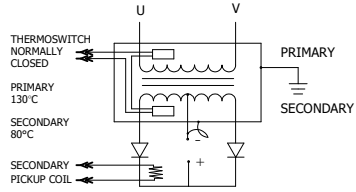
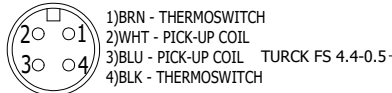


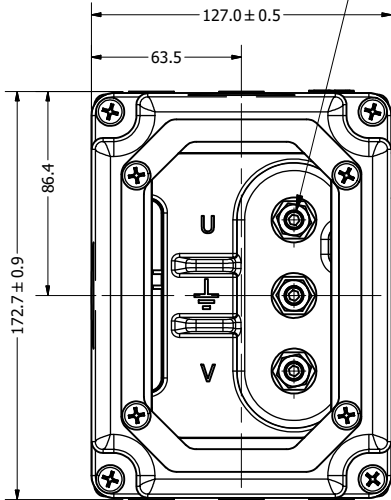
KVA @ 20% DUTY CYCLE	MODEL NUMBER	KVA @ 50% DUTY CYCLE	PRI V / FREQ	V/SEC	URNS RATIO	MAX. Δ P	FLOW RATE	MAX WEIGHT
158	TDC-5583	100	650/1000	9.0	72:1	10 PSI (.69 BAR)	6 LPM	15 KG



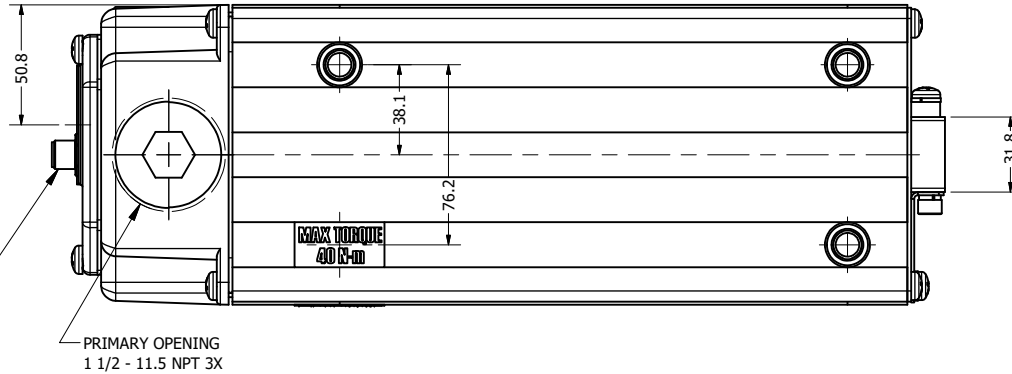
TRANSFORMER CASE MUST BE GROUNDED. TRANSFORMER WILL BE SHIPPED WITH A JUMPER CONNECTING SECONDARY CENTER TAP TO CASE. USER MUST PROVIDE APPROPRIATE GROUNDING OF SECONDARY CIRCUIT. FOR APPLICATIONS ABOVE A 20% DUTY CYCLE, CONTACT ROMAN MANUFACTURING FOR ASSISTANCE.



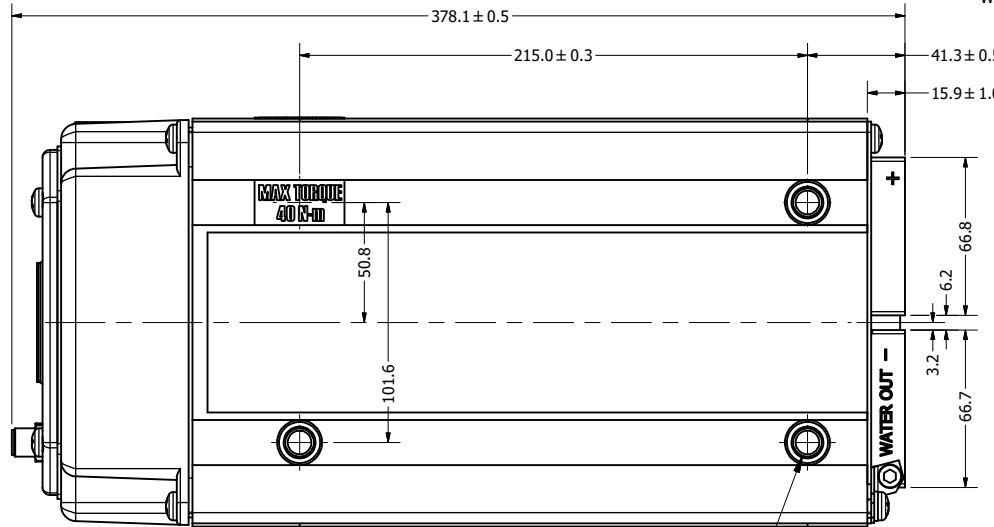
PRIMARY CONNECTION
M8x1.25 - 6g STUD 3X



VIEW SHOWN WITH COVER REMOVED

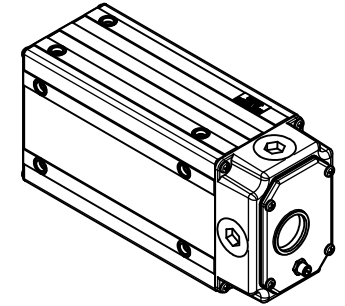


PRIMARY OPENING
1 1/2 - 11.5 NPT 3X

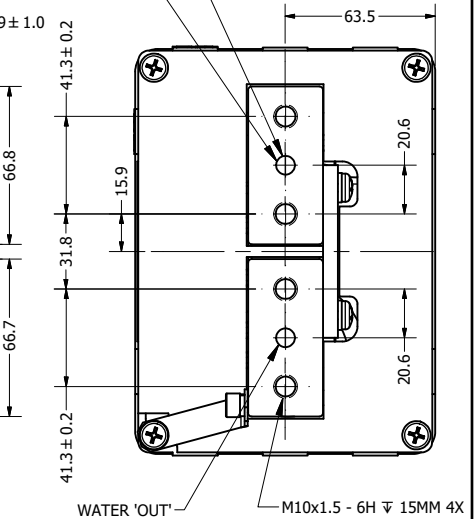


MOUNTING HOLES

□ Ø11.5MM ▽ 4.5MM
M10x1.5 - 6H ▽ 13.5MM 16X
MAX TORQUE 40 N·m



WATER 'IN'
WATER CONNECTION (2) PLS USE 10MM I.D. O-RING 30°C MAX INLET TEMP.



NOTE*
The secondary terminals of this device are intended as an electrical connection only. Applications must be designed to minimize any forces applied to the secondary terminals, this can be accomplished by transferring forces to a structural member.

NOTE:
SEE RC-5583 FOR RATING CURVE
SEE LC-5583 FOR LOAD CURVE

ALL DIMENSIONS IN MILLIMETERS

REV	DESCRIPTION	DATE
V	REVERSED WATER IN AND OUT	10/15/2018
U	ADDED LABEL	10/5/2018
T	UPDATED MOUNTING HOLE CALL OUT	9/28/2018

© 2017 Copyright RoMan Manufacturing. THIS DRAWING AND ALL THE INFORMATION AND TECHNOLOGY IN IT ARE EXCLUSIVE, CONFIDENTIAL AND PROPRIETARY TO RoMan Manufacturing, Inc. THIS DRAWING IS OWNED BY RoMan Manufacturing, Inc. AND UNLESS SPECIFICALLY AUTHORIZED IN WRITING NO COPIES SHALL BE MADE OF THIS DRAWING, AND SHALL BE USED ONLY FOR THE LIMITED PURPOSE FOR WHICH IT IS DISCLOSED AND ONLY TO THE BENEFIT OF RoMan Manufacturing, Inc. AND IT AND ANY COPIES, AUTHORIZED OR NOT, SHALL BE IMMEDIATELY RETURNED UPON ANY REQUEST THEREFOR.

SCALE:	DESIGNER:	DATE:	APPROX WEIGHT:
NONE	rboverman	2/16/2005	N/A

DETAILER:	DESIGNER:
bconner	bconner

POWER SUPPLY



ISO 22829 TYPE S

DRAWING NUMBER:
5583-1