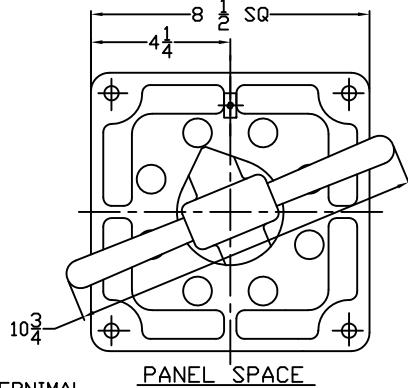
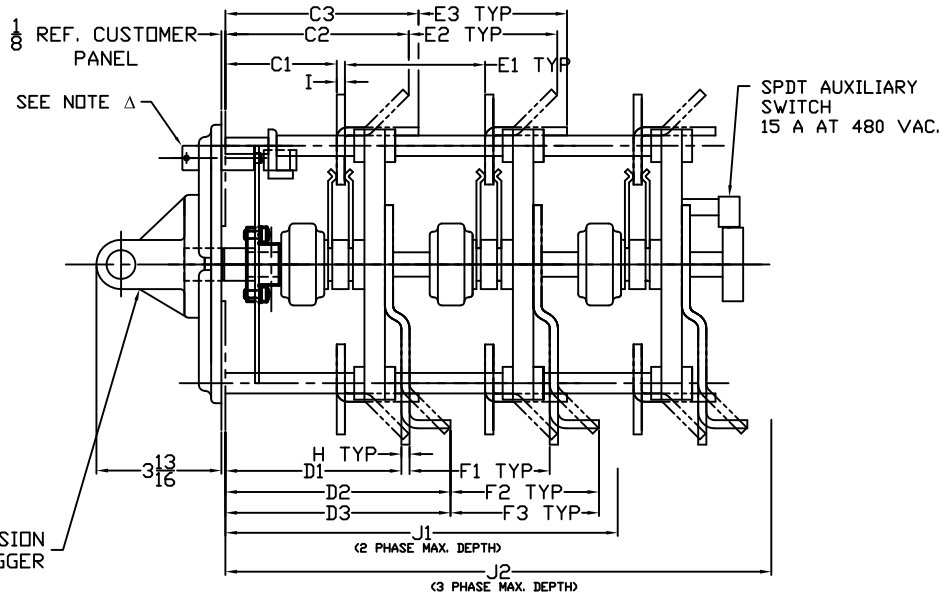


FRONT VIEW
COVER REMOVED

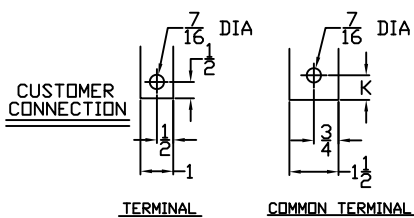


PANEL SPACE

PADLOCK PROVISION
LOCATED BEHIND TRIGGER



△ MECHANICAL INTERLOCK: PULL KNOB BEFORE OPERATING
MAIN HANDLE. KNOB ACTIVATES A SPDT AUXILIARY
SWITCH - 15 A AT 480 VAC.



BASIC SWITCH with STRAIGHT TERMINALS												
Amps	A1	B	C1	D1	E1	F1	G	H	I	J1	J2	K
100-600	10	4 5/16	1 15/16	3 13/16	4 5/16	4 5/16	5 1/2	1/4	1/4	8 15/16	13 9/16	3/4

with AUXILIARY SWITCH	
J1	J2
9 13/16	14 3/8

MECHANICAL INTERLOCK with STRAIGHT TERMINALS												
Amps	A1	B	C1	D1	E1	F1	G	H	I	J1	J2	K
100-600	10	4 5/16	3 1/2	5 3/8	4 5/16	4 5/16	5 1/2	1/4	1/4	10 1/2	15 1/16	3/4

BASIC SWITCH with 45° TERMINALS												
Amps	A2	B	C2	D2	E2	F2	G	H	I	J1	J2	K
100-600	10 1/4	4 15/16	4 1/8	5 5/16	4 9/16	4 9/16	5 3/16	1/4	1/4	9 13/16	14 5/16	3/4

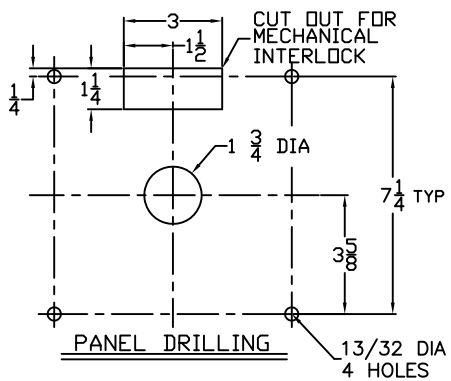
with AUXILIARY SWITCH	
J1	J2
9 13/16	14 3/8

MECHANICAL INTERLOCK with 45° TERMINALS												
Amps	A2	B	C2	D2	E2	F2	G	H	I	J1	J2	K
100-600	10 1/8	4 15/16	5 11/16	6 7/8	4 9/16	4 9/16	5 3/16	1/4	1/4	11 3/8	15 15/16	3/4

BASIC SWITCH with 90° TERMINALS												
Amps	A3	B	C3	D3	E3	F3	G	H	I	J1	J2	K
100-600	8 1/8	3 7/8	4 7/16	5 5/16	4 9/16	4 9/16	5	1/4	1/4	9 7/8	4 3/8	5/8

with AUXILIARY SWITCH	
J1	J2
9 13/16	14 3/8

MECHANICAL INTERLOCK with 90° TERMINALS												
Amps	A3	B	C3	D3	E3	F3	G	H	I	J1	J2	K
100-600	8 1/8	3 7/8	6 6 7/8	4 9/16	4 9/16	5	1/4	1/4	11 7/16	15 15/16	5/8	



PANEL DRILLING
13/32 DIA
4 HOLES