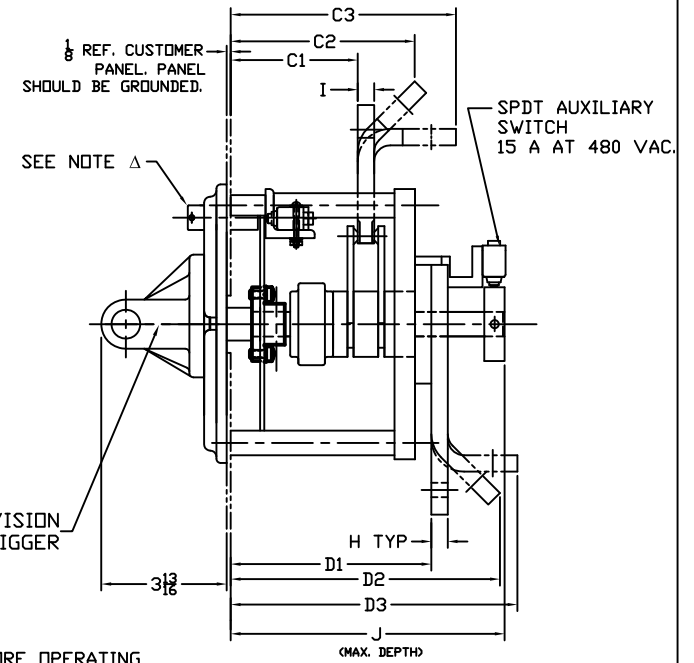
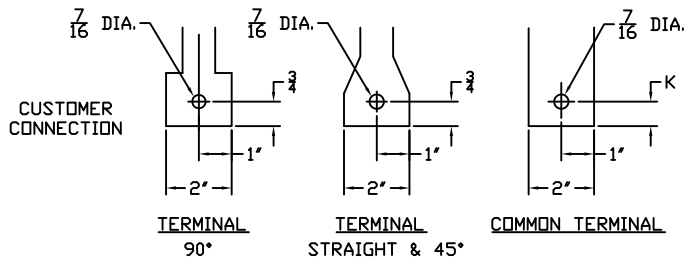


PADLOCK PROVISION  
LOCATED BEHIND TRIGGER



Δ MECHANICAL INTERLOCK: PULL KNOB BEFORE OPERATING  
MAIN HANDLE. KNOB ACTIVATES A SPDT AUXILIARY  
SWITCH - 15 A AT 480 VAC.



BASIC SWITCH with STRAIGHT TERMINALS										
Amps	A1	B	C1	D1	G	H	I	J	K	
800-1000	13 1/8	5 1/2	2 5/16	4 9/16	5 13/16	1/2	1/2	6 3/4	3/4	

with AUXILIARY SWITCH	
J	6 7/8

MECHANICAL INTERLOCK with STRAIGHT TERMINALS										
Amps	A1	B	C1	D1	G	H	I	J	K	
800-1000	13 1/8	5 1/2	3 7/8	6 1/8	5 13/16	1/2	1/2	8 3/4	3/4	

BASIC SWITCH with 45° TERMINALS										
Amps	A2	B	C2	D2	G	H	I	J	K	
800-1000	14 3/8	6 3/8	3 13/16	6 5/16	5 9/16	1/2	1/2	6 3/4	3/4	

with AUXILIARY SWITCH	
J	6 7/8

MECHANICAL INTERLOCK with 45° TERMINALS										
Amps	A2	B	C2	D2	G	H	I	J	K	
800-1000	14 3/8	6 3/8	5 5/8	7 7/8	5 9/16	1/2	1/2	8 3/4	3/4	

BASIC SWITCH with 90° TERMINALS										
Amps	A3	B	C3	D3	G	H	I	J	K	
800-1000	12 3/16	5 3/4	5 3/16	7 3/16	4 1/2	1/2	1/2	6 3/4	3/4	

with AUXILIARY SWITCH	
J	6 7/8

MECHANICAL INTERLOCK with 90° TERMINALS										
Amps	A3	B	C3	D3	G	H	I	J	K	
800-1000	12 3/16	5 1/2	6 3/4	8 3/4	4 9/16	1/2	1/2	8 3/4	3/4	

