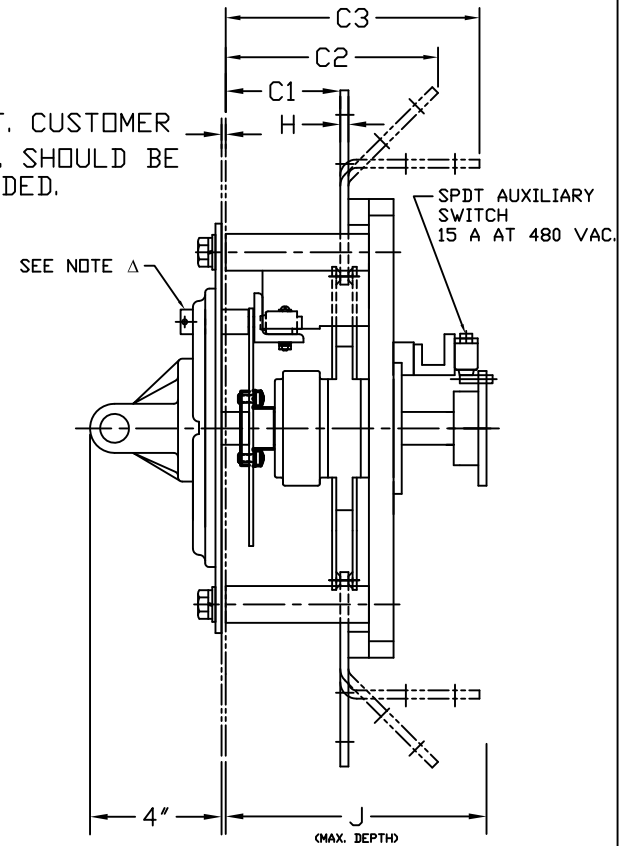
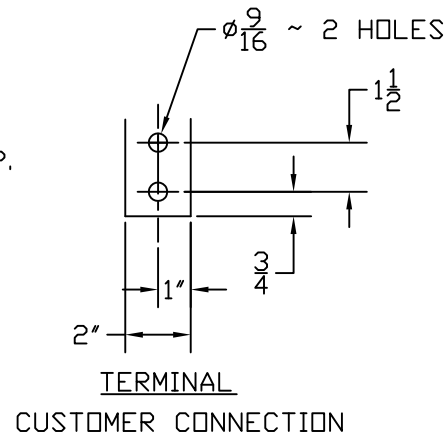
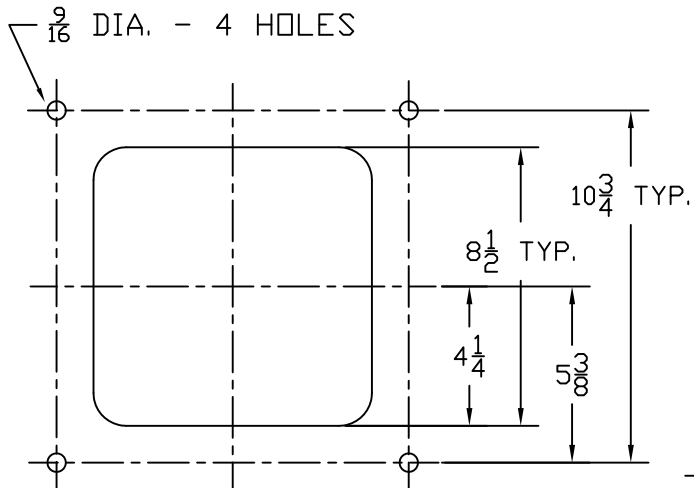


1/8 REF. CUSTOMER
PANEL, SHOULD BE
GROUNDED.



Δ MECHANICAL INTERLOCK: PULL KNOB BEFORE OPERATING
MAIN HANDLE. KNOB ACTIVATES A SPDT AUXILIARY
SWITCH - 15 A AT 480 VAC.



BASIC SWITCH with STRAIGHT TERMINALS						
Amps	A1	B	C1	I	J	
800-1000	19 11/16	8 3/4	2 1/4	1/4	6 5/16	

with AUXILIARY SWITCH	
J	
6 7/8	

MECHANICAL INTERLOCK with STRAIGHT TERMINALS						
Amps	A1	B	C1	I	J	
800-1000	19 11/16	8 3/4	3 1/2	1/4	7 5/8	

BASIC SWITCH with 45° TERMINALS						
Amps	A2	B	C2	I	J	
800-1000	20	9 1/8	5 1/4	1/4	6 5/16	

with AUXILIARY SWITCH	
J	
6 7/8	

MECHANICAL INTERLOCK with 45° TERMINALS						
Amps	A2	B	C2	I	J	
800-1000	20	9 1/8	6 1/2	1/4	7 5/8	

BASIC SWITCH with 90° TERMINALS						
Amps	A3	B	C3	I	J	
800-1000	16	8 3/4	6 1/2	1/4	6 1/2	

with AUXILIARY SWITCH	
J	
6 7/8	

MECHANICAL INTERLOCK with 90° TERMINALS						
Amps	A3	B	C3	I	J	
800-1000	16	8 3/4	7 3/4	1/4	7 3/4	