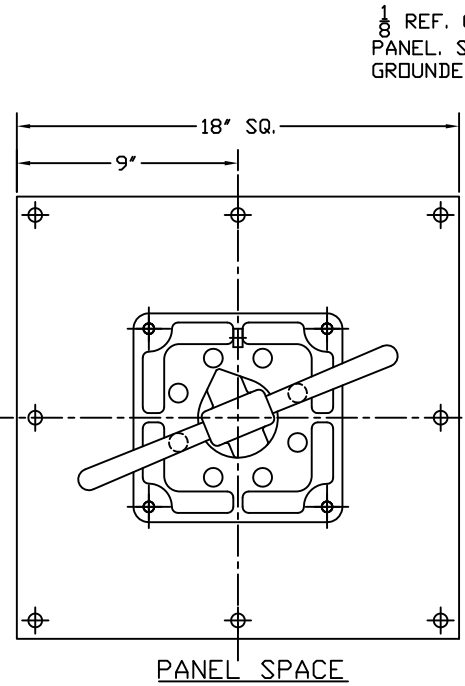
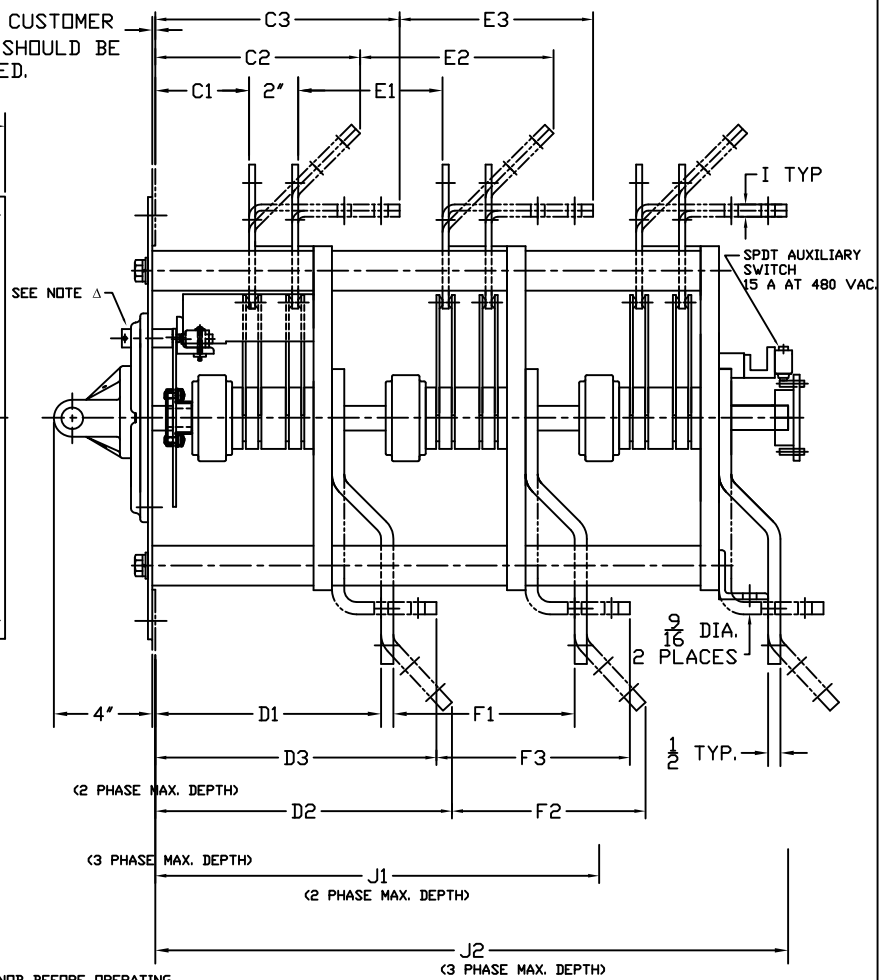


FRONT VIEW
COVERS REMOVED

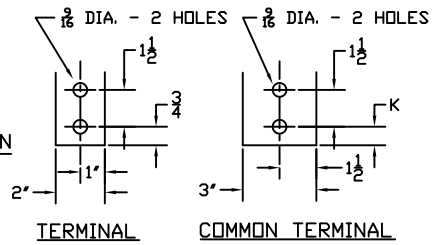


PANEL SPACE

1/8" REF. CUSTOMER
PANEL. SHOULD BE
GROUNDED.



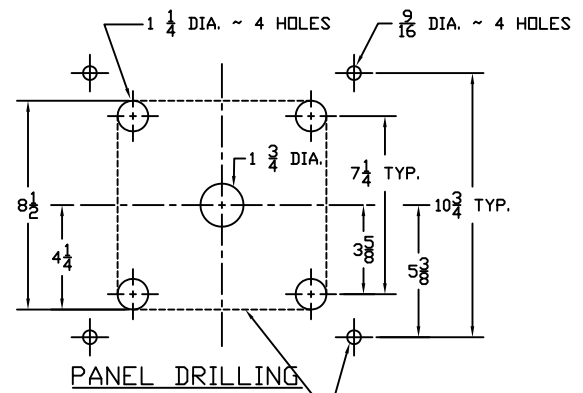
CUSTOMER CONNECTION



TERMINAL

COMMON TERMINAL

Δ MECHANICAL INTERLOCK: PULL KNOB BEFORE OPERATING
MAIN HANDLE. KNOB ACTIVATES A SPDT AUXILIARY
SWITCH - 15 A AT 480 VAC.



PANEL DRILLING

ALTERNATE DRILLING

BASIC SWITCH with STRAIGHT TERMINALS													with AUXILIARY SWITCH		MECHANICAL INTERLOCK with STRAIGHT TERMINALS													
Amps	A1	B	C1	D1	E1	F1	G	H	I	J1	J2	K	J1	J2	Amps	A1	B	C1	D1	E1	F1	G	H	I	J1	J2	K	
1200	19 3/4	8 3/4	2 1/2	7 7/8	5 7/8	7 3/8	10	1/2	1/2	16 1/2	24	3/8	3/4	17 1/8	25	1200	19 3/4	8 3/4	3 7/8	9 1/4	5 7/8	7 3/8	10	1/2	1/2	17 7/8	25 3/4	3/4

BASIC SWITCH with 45° TERMINALS													with AUXILIARY SWITCH		MECHANICAL INTERLOCK with 45° TERMINALS													
Amps	A2	B	C2	D2	E2	F2	G	H	I	J1	J2	K	J1	J2	Amps	A2	B	C2	D2	E2	F2	G	H	I	J1	J2	K	
1200	22 1/2	10 3/8	7	10 7/8	7 7/8	7 7/8	11 3/4	1/2	1/2	18 3/4	26	5/8	3/4	18 3/4	26 5/8	1200	22 1/2	10 3/8	8 3/8	12 1/8	7 7/8	7 7/8	11 3/4	1/2	1/2	20	27 7/8	3/4

BASIC SWITCH with 90° TERMINALS													with AUXILIARY SWITCH		MECHANICAL INTERLOCK with 90° TERMINALS													
Amps	A3	B	C3	D3	E3	F3	G	H	I	J1	J2	K	J1	J2	Amps	A3	B	C3	D3	E3	F3	G	H	I	J1	J2	K	
1200	16 1/2	7 7/8	8 5/8	10 1/8	7 7/8	7 7/8	8	1/2	1/2	18	25	7/8	3/4	18	25 7/8	1200	16 1/2	7 7/8	10	11 1/2	7 7/8	7 7/8	8	1/2	1/2	19 3/8	27 1/4	3/4