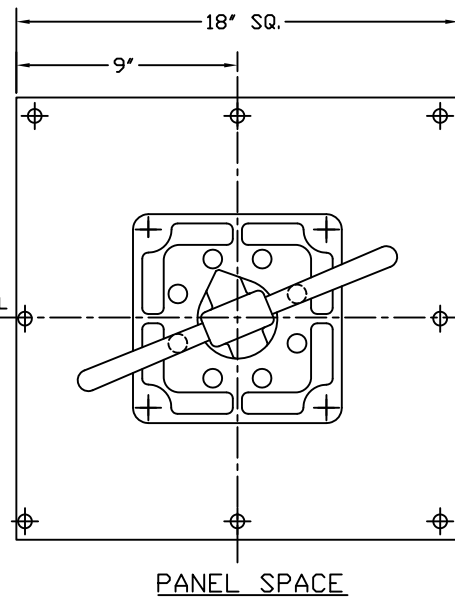


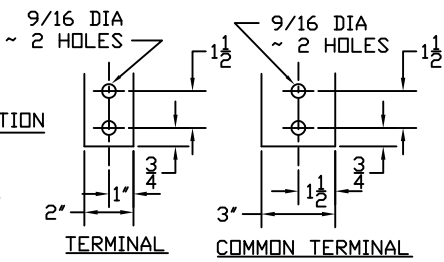
FRONT VIEW  
COVERS REMOVED

COMMON  
TERMINAL



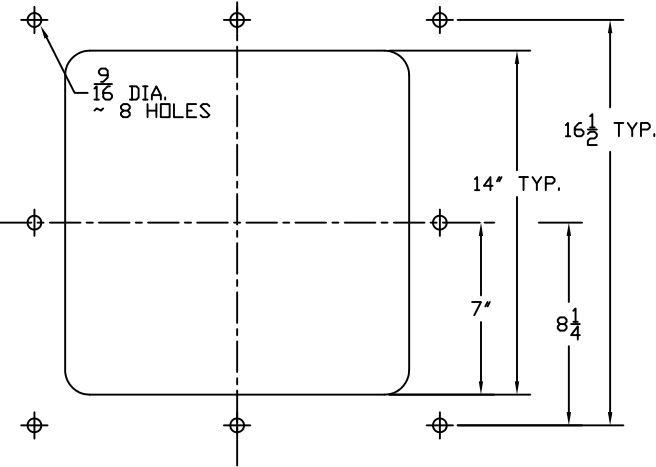
PANEL SPACE

CUSTOMER CONNECTION



TERMINAL

COMMON TERMINAL



PANEL DRILLING

△ MECHANICAL INTERLOCK: PULL KNOB BEFORE OPERATING MAIN HANDLE. KNOB ACTIVATES A SPDT AUXILIARY SWITCH - 15 A AT 480 VAC.

BASIC SWITCH with STRAIGHT TERMINALS													with AUXILIARY SWITCH		MECHANICAL INTERLOCK with STRAIGHT TERMINALS												
Amps	A1	B	C1	D1	E1	F1	G	H	I	J1	J2	K	J1	J2	Amps	A1	B	C1	D1	E1	F1	G	H	I	J1	J2	K
1600-2000	19 3/4	8 3/4	2 1/4	7 7/8	5 5/8	7 3/8	10	1/2	3/4	16 1/2	24 3/8	3/4	17 1/8	25	1600-2000	19 3/4	8 3/4	3 5/8	9 1/4	5 5/8	7 3/8	10	1/2	3/4	17 7/8	25 3/4	3/4

BASIC SWITCH with 45° TERMINALS													with AUXILIARY SWITCH		MECHANICAL INTERLOCK with 45° TERMINALS												
Amps	A2	B	C2	D2	E2	F2	G	H	I	J1	J2	K	J1	J2	Amps	A2	B	C2	D2	E2	F2	G	H	I	J1	J2	K
1600-2000	22 3/4	10 1/2	7	10 7/8	7 7/8	7 7/8	11 3/4	1/2	3/4	18 3/4	26 5/8	3/4	18 3/4	26 5/8	1600-2000	22 3/4	10 1/2	8 3/8	12 1/8	7 7/8	7 7/8	11 3/4	1/2	3/4	20	27 7/8	3/4

BASIC SWITCH with 90° TERMINALS													with AUXILIARY SWITCH		MECHANICAL INTERLOCK with 90° TERMINALS												
Amps	A3	B	C3	D3	E3	F3	G	H	I	J1	J2	K	J1	J2	Amps	A3	B	C3	D3	E3	F3	G	H	I	J1	J2	K
1600-2000	16 7/8	8 1/8	8 5/8	10 1/8	7 7/8	7 7/8	8	1/2	3/4	18	25 7/8	3/4	18	25 7/8	1600-2000	16 7/8	8 1/8	10	11 1/2	7 7/8	7 7/8	8	1/2	3/4	19 3/8	27 1/4	3/4