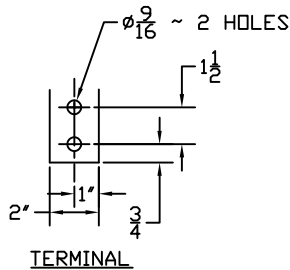
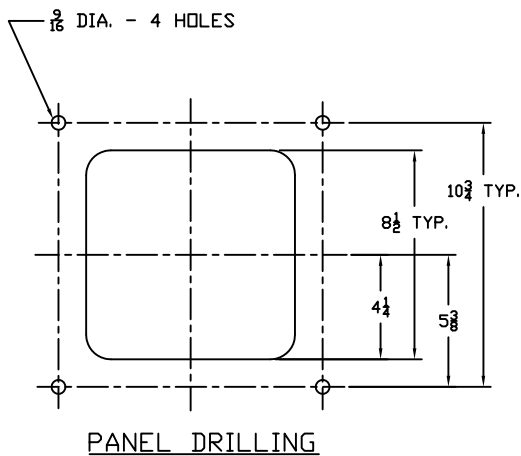


Δ MECHANICAL INTERLOCK: PULL KNOB BEFORE OPERATING MAIN HANDLE. KNOB ACTIVATES A SPDT AUXILIARY SWITCH - 15 A AT 480 VAC.



CUSTOMER CONNECTION

BASIC SWITCH with STRAIGHT TERMINALS						
Amps	A1	B	C1	I	J	
1600-2000	19 3/4	8 3/4	2 1/4	3/4	8 5/8	

with AUXILIARY SWITCH	
J	
9	

MECHANICAL INTERLOCK with STRAIGHT TERMINALS					
Amps	A1	B	C1	I	J
1600-2000	19 3/4	8 3/4	3 5/8	3/4	9 7/8

BASIC SWITCH with 45° TERMINALS					
Amps	A2	B	C2	I	J
1600-2000	22 3/4	10 1/2	7	3/4	8 5/8

with AUXILIARY SWITCH	
J	
9	

MECHANICAL INTERLOCK with 45° TERMINALS					
Amps	A2	B	C2	I	J
1600-2000	22 3/4	10 1/2	8 3/8	3/4	9 7/8

BASIC SWITCH with 90° TERMINALS					
Amps	A3	B	C3	I	J
1600-2000	16 7/8	8 1/8	8 5/8	3/4	8 5/8

with AUXILIARY SWITCH	
J	
9	

MECHANICAL INTERLOCK with 90° TERMINALS					
Amps	A3	B	C3	I	J
1600-2000	16 7/8	8 1/8	10	3/4	10